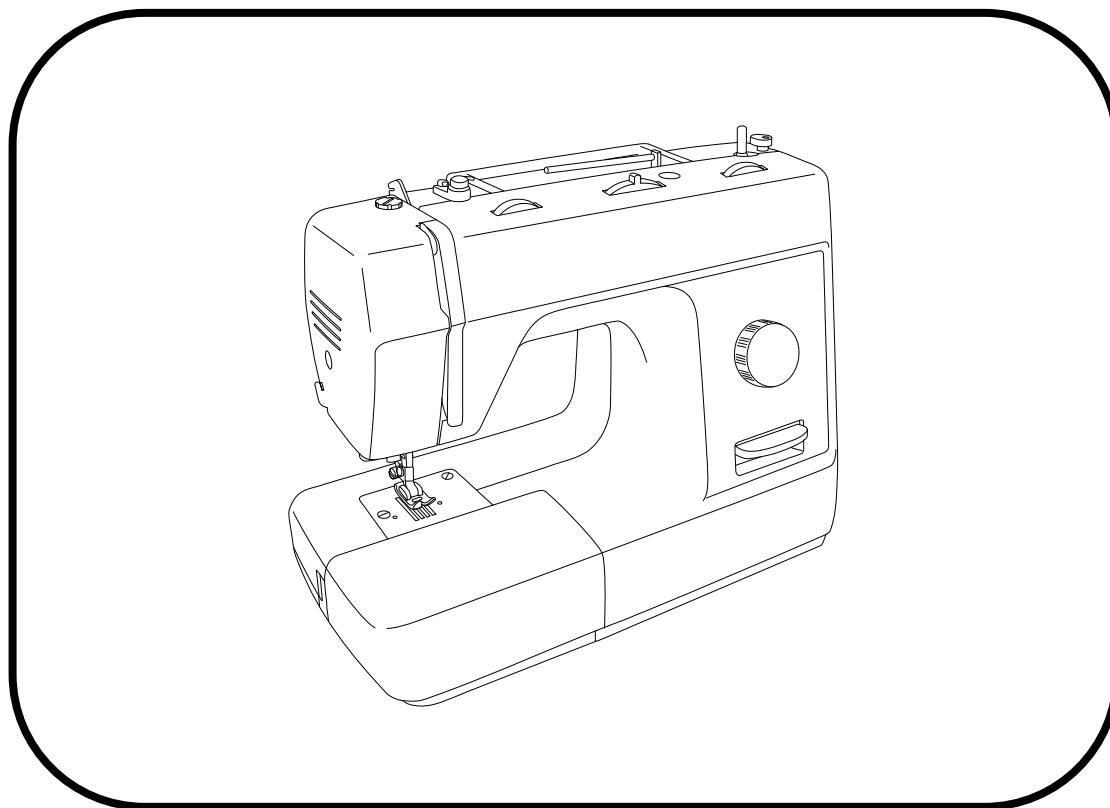


Parts list



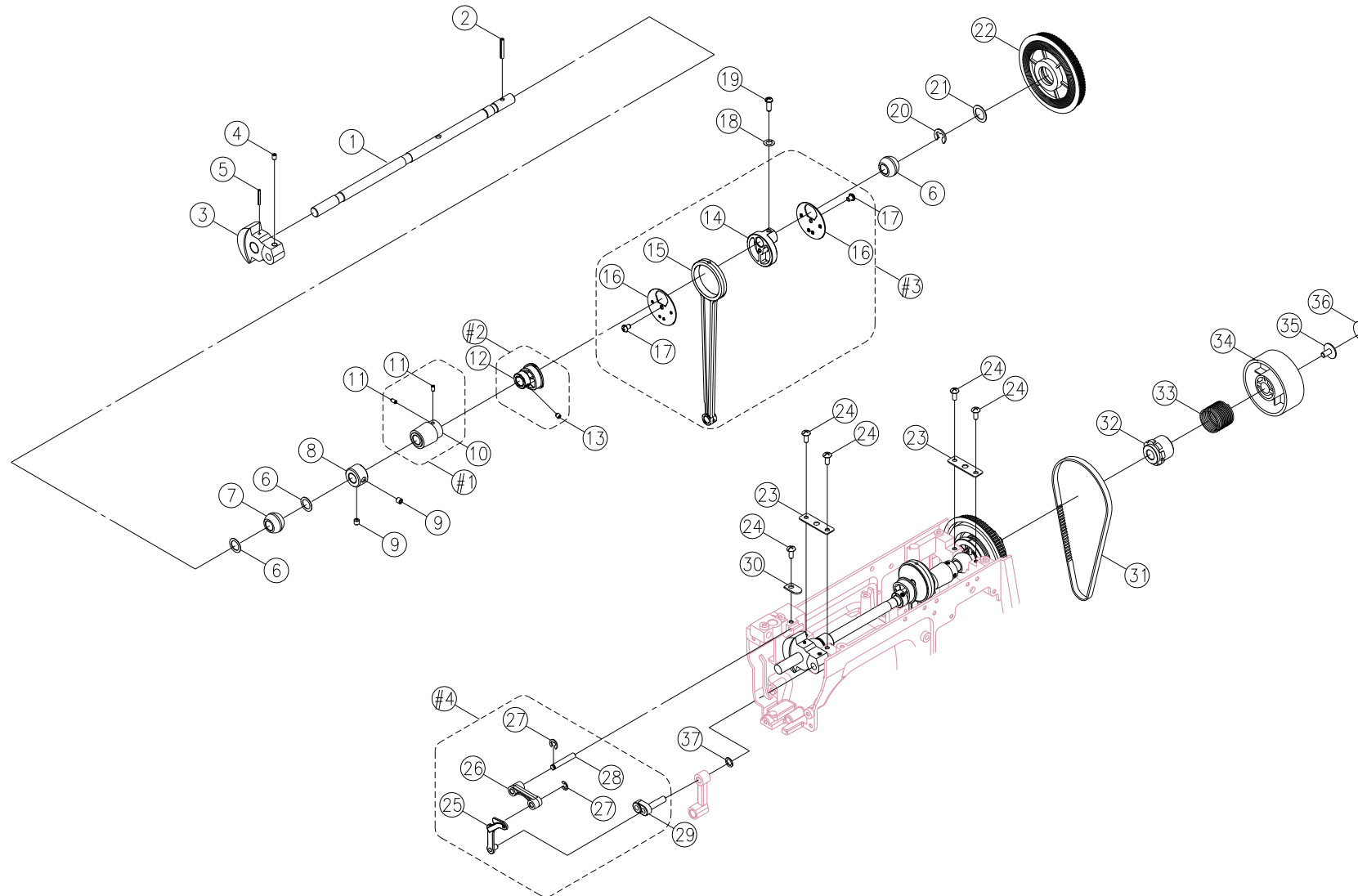
SaitoTM

MODEL SA 1802 Rosa

~ LIST OF CONTENTS ~

A. ARM SHAFT, THREAD TAKE UP LEVER.....	- 1 -
B. PATTERN CAM CONTACT, NEEDLE POSITION CRANK, ZIGZAG WIDTH CRANK.....	- 3 -
C. FEED REGULATOR PLATE, REVERSE CRANK.....	- 5 -
D. PRESSER BAR, NEEDLE BAR SUPPORTER.....	- 7 -
E. DIAL TENSION, BOBBIN WINDER, CLUTCH ROD	- 9 -
F. FEED REGULATING, FORK ROD, FEED ROCK SHAFT, FEED LIFTING ROCK CRANK	- 11 -
G. LOWER SHAFT, SHUTTLE HOOK	- 13 -
H. MOTOR & LAMP HOLDER.....	- 15 -
I. FRONT COVER , BACK COVER	- 17 -
J. FACE PLATE, BOTTOM PLATE, BED COVER, SEWING TABLE	- 19 -
K. ACCESSORIES	- 21 -

A. ARM SHAFT, THREAD TAKE UP LEVER

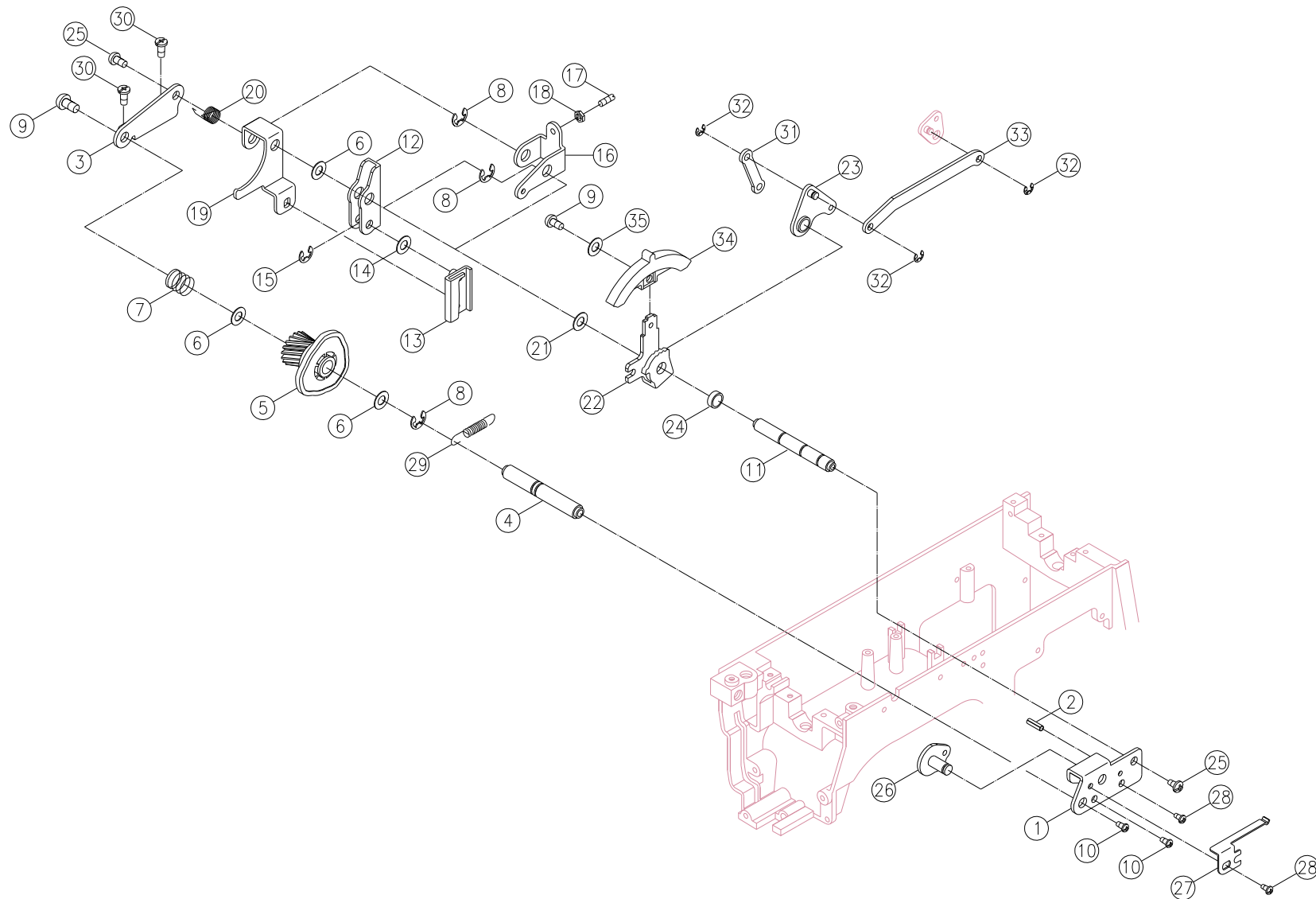


A. ARM SHAFT, THREAD TAKE UP LEVER

NO.	PART NO.	DESCRIPTION	REMARK
1	V60033000	ARM SHAFT	
2	003043018	SPRING PIN(ϕ 3×18)	
3	V61473000	ARM SHAFT BALANCE	
4	004240223	SET SCREW(M4×6 C)	
5	003043524	ARM SHAFT BALANCE PIN (ϕ 3.5×24)	
6	004400080	ENDURE ATTRITION WASHER (10.2×15×0.5)	
7	R10293000	ARM SHAFT BUSING	
8	R10313000	ARM SHAFT COLLAR	
9	004250203	SET SCREW(M5×5 C)	
10	E1A1573000	ARM SHAFT WORM	(20080603)
11	004107283	SET SCREW(11/64×40×5)	
12	G4A0533000	FEED CAM	(20090225)
13	004240503	SET SCREW(M4×4 C)	
14	V880603003	CRANK CONNECTING ROD CAM	(20110106)
15	V880213000	CRANK CONNECTING ROD	(20110106)
16	V880613003	CRANK CONNECTING ROD COVER	(20110106)
17	0042400012	SET SCREW (M4X4 B)	(20110106)
18	004600026	WASHER(4.2×7.2×1.2)	
19	004107063	SET SCREW(11/64×40×12)	
20	003010093	E-RING (ETW-9)	
21	004300853	WASHER(10.2×15×0.5)	
22	E4A0143210	ARM SHAFT DRIVER BELT PULLEY	
23	V60113003	ARM SHAFT BUSHING HOLDER PLATE	
24	004240106	SET SCREW(M4×8 A)	
25	E1A2513001	THREAD TAKE UP LEVER	
26	V10523000	THREAD TAKE UP LEVER SUPPORTER	
27	003010043	E-RING (ETW-4)	
28	V60223003	THREAD TAKE UP LEVER SUPPORTER SHAFT	
29	V10543000	ARM SHAFT BALANCE PIN	
30	H13093003	SET WASHER	
31	007156XXL5	MOTOR DRIVE BELT (156XXL)	(20070531)
32	R10403000	ARM SHAFT COLLAR	

NO.	PART NO.	DESCRIPTION	REMARK
33	R10393000	ARM SHAFT CLUTCH ANNULUS SPRING	
34	V10183210	HAND WHEEL	
35	0042500016	SET SCREW (M5X10)	(20070924)
36	V16893210	HAND WHEEL DECORATED PLATE	
37	0044000020	ENDURE ATTRITION WASHER (6.2×12×0.25)	(20081006)
#1	E1A1575000	ARM SHAFT WORM COMPLETE	(20080603)
#2	G4A0535000	FEED CAM COMPLETE	
#3	V880214000	CRANK CONNECTING ROD COMPLETE	(20110106)
#4	E1A2534000	THREAD TAKE UP LEVER COMPLETE	

B. PATTERN CAM CONTACT, NEEDLE POSITION CRANK, ZIGZAG WIDTH CRANK

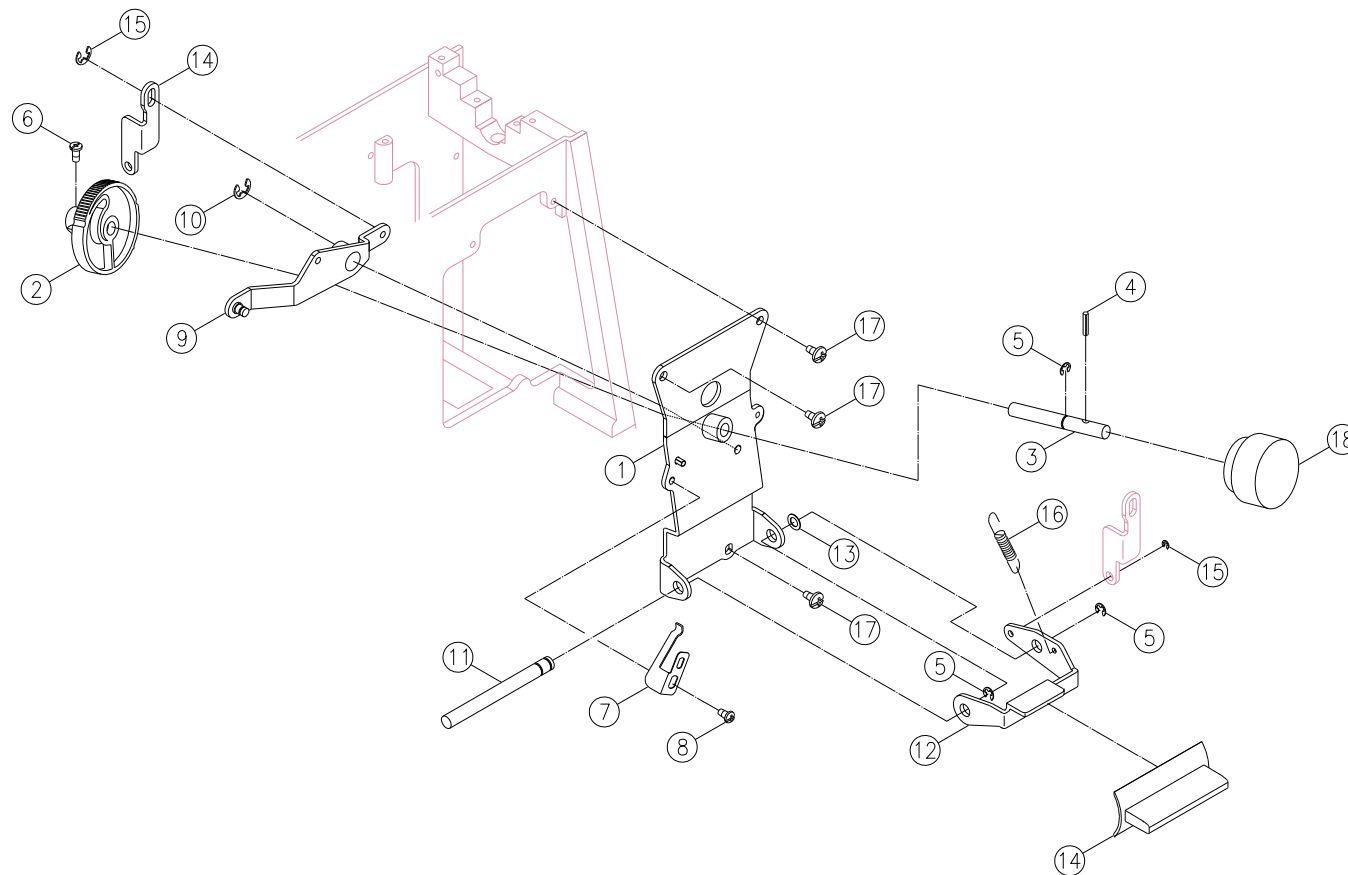


B. PATTERN CAM CONTACT, NEEDLE POSITION CRANK, ZIGZAG WIDTH CRANK

NO.	PART NO.	DESCRIPTION	REMARK
1	VZ50213003	PATTERN CAM CONTACT PLATE (FRONT)	
2	003043010	SPRING PIN(ϕ 3×10)	
3	VZ50223003	PATTERN CAM CONTACT PLATE (BACK)	
4	VZ50233003	ZZ CAM SHAFT	
5	VZ50243000	ZZ CAM	
6	004300936	WASHER (8.2×12×0.5)	
7	V60673003	PATTERN CAM SPRING	
8	003010063	E-RING (ETW-6)	
9	004240106	SET SCREW (M4×8 A)	
10	004240066	SET SCREW (M4×8 B)	
11	VZ50253000	NEEDLE POSITION CRANK SHAFT	
12	VZ50263003	NEEDLE POSITION CRANK	
13	VZ50273002	ZIGZAG WIDTH REGULATING CAM BOX	
14	004300713	WASHER (5.2×10×0.2)	
15	003010043	E-RING (ETW-4)	
16	VZ50303003	NEEDLE POSITION REGULATOR CRANK	
17	004241093	SET SCREW (M4×0.7 L=9)	
18	004840106	NUT (ALN-4)	
19	VZ50313003	ZIGZAG CAM CONTACT	
20	VZ50323003	ZIGZAG CAM CONTACT SPRING	
21	004300843	WASHER (7.2×12×1.0)	
22	VZ50333006	NEEDLE POSITION ROD	
23	VZ50343003	ZIGZAG WIDTH CRANK	
24	VZ50413003	TUBE	
25	004230016	SET SCREW (M3×6 A)	
26	VZ50373003	NEEDLE POSITION CAM	
27	VZ50403003	NEEDLE POSITION PLATE	
28	004240676	SET SCREW (M4×5 B)	
29	VZ50423003	NEEDLE POSITION SPRING	
30	004240056	SET SCREW (M4×6 B)	
31	VZ50363003	ZIGZAG WIDTH ROD CRANK	
32	003010036	E-RING (ETW-3)	

NO.	PART NO.	DESCRIPTION	REMARK
33	VZ60113003	ROD	
34	VZ66463210	NEEDLE POSITION PLATE	
35	004300076	WASHER (4.2×9×0.5)	

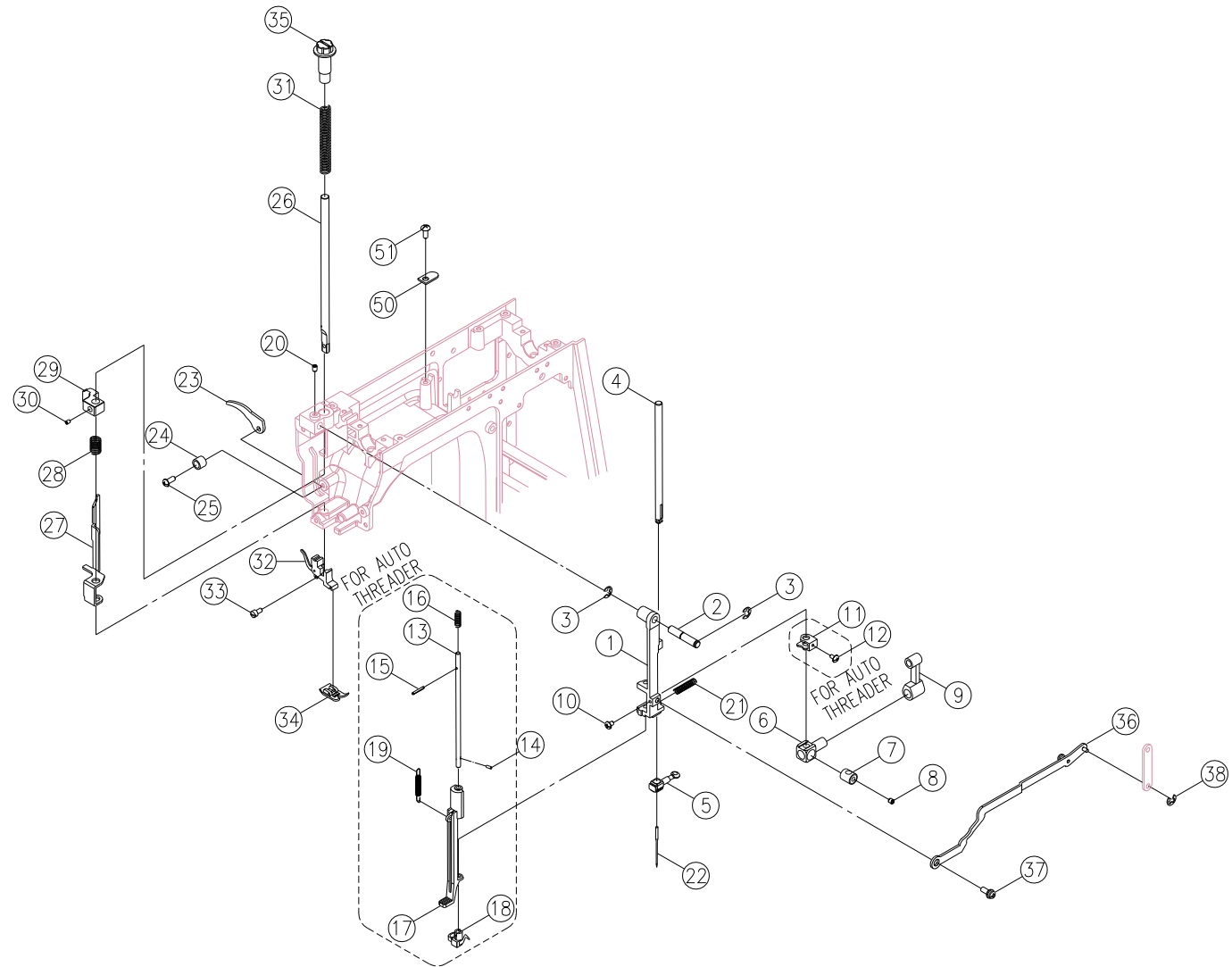
C. FEED REGULATOR PLATE, REVERSE CRANK



C. FEED REGULATOR PLATE, REVERSE CRANK

NO.	PART NO.	DESCRIPTION	REMARK
1	VZ50083003	FEED REGULATOR PLATE	
2	VZ50103000	FEED REGULATOR CAM	
3	VZ60043006	FEED REGULATOR CAM SHAFT	
4	003042516	SPRING PIN (ϕ 2.5×16)	
5	003010056	E-RING (ETW-5)	
6	004230286	SET SCREW (M3×8 B)	
7	V60883003	FEED REGULATOR PALATE	
8	004240676	SET SCREW (M4×5 B)	
9	VZ50123003	FEED REGULATOR TRANSMITTING CRANK	
10	003010046	E-RING (ETW-4)	
11	VZ50153003	REVERSE CRANK SHAFT	
12	VZ60033006	REVERSE CRANK	
13	004300153	WASHER (12×6.5×1)	
14	VZ50183003	REVERSE ROD	
15	003010036	E-RING (ETW-3)	
16	M70093000	AUTO THREADED LEVER SPRING	
17	004240106	SET SCREW (M4×8 A)	
18	VZ69263210	FEED REGULATOR DIAL	
19	V660053210	REVERSE BUTTON	

D. PRESSER BAR, NEEDLE BAR SUPPORTER

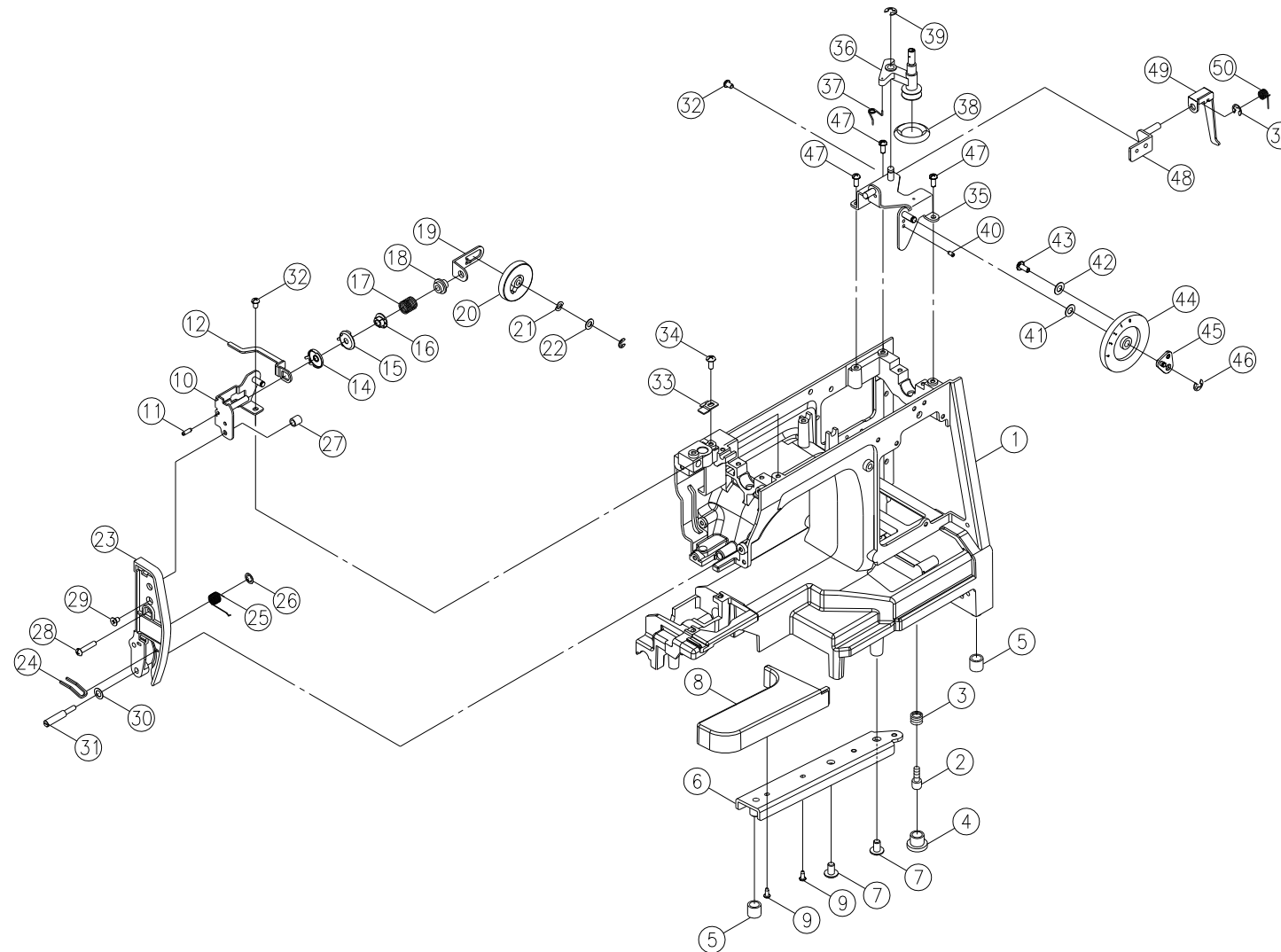


D. PRESSER BAR, NEEDLE BAR SUPPORTER

NO.	PART NO.	DESCRIPTION	REMARK
1		NEEDLE BAR SUPPORTER	FOR AUTO THREADER
	V61973002	NEEDLE BAR SUPPORTER	
2		NEEDLE BAR SUPPORTER PIN	FOR AUTO THREADER
	N80223003	NEEDLE BAR SUPPORTER PIN	
3	003010056	E-RING (ETW-5)	
4	V70273000	NEEDLE BAR	
5	TA11034000	NEEDLE CLAMP COMPLETE	
6	H10253000	NEEDLE BAR BRACKET (1)	
7	H10263000	NEEDLE BAR BRACKET (2)	
8	004240503	SET SCREW (M4×4 C)	
9	V60193000	NEEDLE BAR CRANK ROD	(20090910)
10	004106202	SET SCREW(9/64×40×6)	
11		AUTO THREADER STOPPER	
12		SET SCREW (M3×6 A)	
13		AUTO THREADER SHAFT	
14		SPRING PIN (φ2×6)	
15		SPRING PIN (φ2×14)	
16		AUTO THREADER SHAFT SPRING	
17		AUTO THREADER LERER	
18		AUTO THREADER	
19		AUTO THREADER LERER SPRING	
20	004240033	SET SCREW (M4×5 C)	
21	H50583003	NEEDLE BAR SUPPORTER SPRING	
22	006046148	NEEDLE	
23	K6A1193000	PRESSER BAR LIFTER LEVER	
24	V60163000	PRESSER BAR LIFTER LEVER SCREW WASHER	
25	004240046	SET SCREW (M4×10 B)	
26	V70153002	PRESSER BAR	
27	V880573003	TENSION LEVER LIFTER	(20091215)
28	H10723003	TENSION LEVER LIFTER SPRING	
29	H10533002	PRESSER BAR BRACKET	
30	004260023	SET SCREW(M6×5 C)	

NO.	PART NO.	DESCRIPTION	REMARK
31	V70163003	PRESSER BAR SPRING	
32	006187008	SHANK COMPLETE	(20100104)
33	004106221	SHANK SCREW (9/64×40×8)	
34	006806008	ALL PURPOSE FOOT(J)	
35	V620163210	PRESSER BAR REGULATING SCREW	
36	VZ50193003	NEEDLE BAR DRIVING ROD	
37	V6E0413000	NEEDLE BAR DRIVING ROD PIN	(20081027)
38	003010036	E-RING (ETW-3)	

E. DIAL TENSION, BOBBIN WINDER, CLUTCH ROD

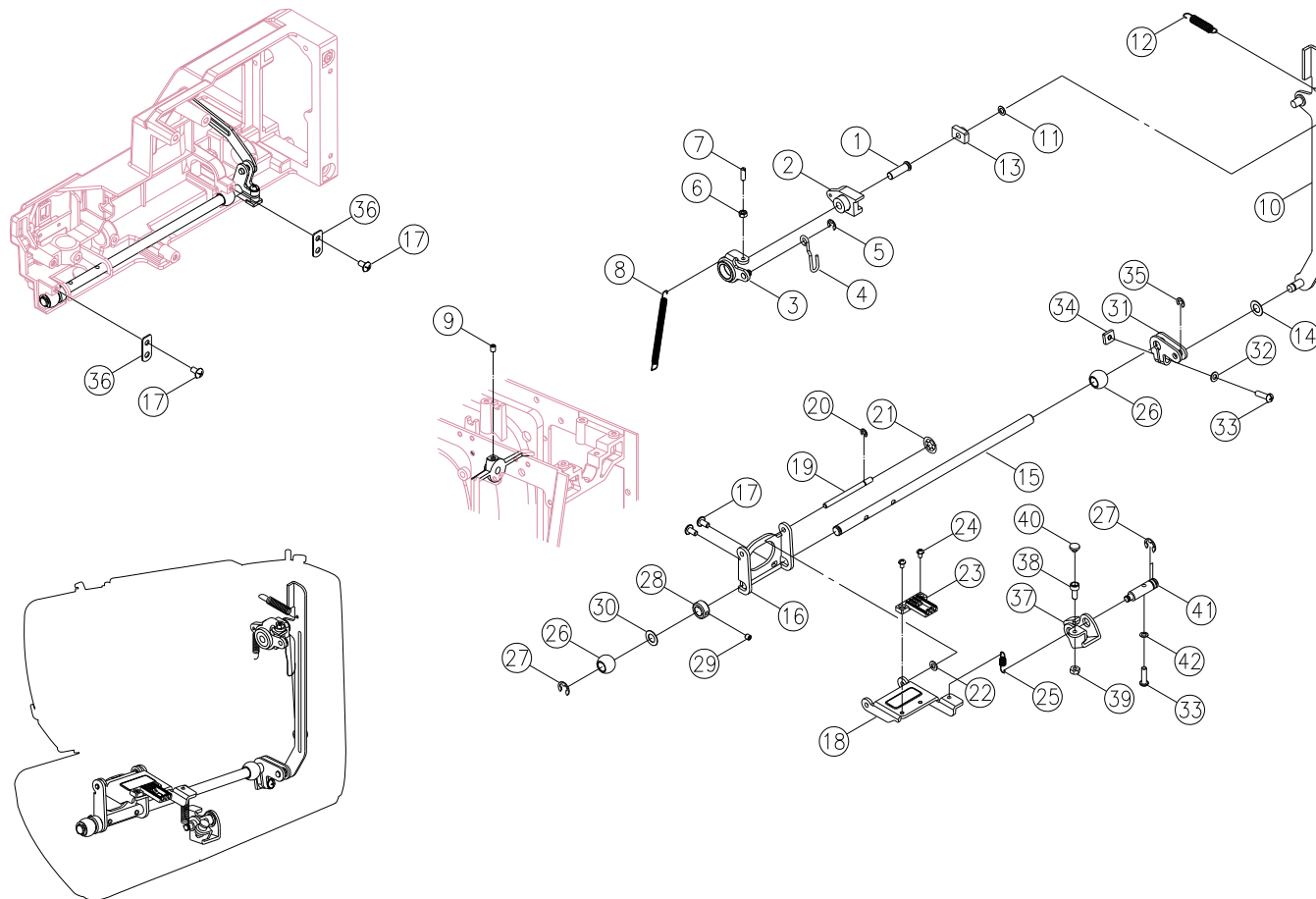


E. DIAL TENSION, BOBBIN WINDER, CLUTCH ROD

NO.	PART NO.	DESCRIPTION	REMARK
1	VZ60013000	ARM	(20110224)
2	K82133006	BASE PLATE ADJUSTMENT SCREW	
3	K82073003	BASE PLATE ADJUSTMENT SCREW SPRING	
4	E1A2503002	ADJUSTMENT FREE ARM BASE CUSHION RUBBER	
5	K6A0063000	FREE ARM BASE CUSHION RUBBER	(20110316)
6	V6E1024000	FREE ARM FOOT	(20100402)
7	004260056	SET SCREW (M6X10)	(20100402)
8	V6E1143210	FREE ARM FOOT BASE	(20100402)
9	004230842	SET SCREW (M3x8)	(20100402)
10	V880553002	DIAL TENSION SUPPORTER PLATE	(20091215)
11	003043010	SPRING PIN (ϕ 3x10)	
12	V880563003	DIAL TENSION WAFT PLATE	(20091215)
13	003010043	E-RING (ETW-4)	
14	J30423001	DIAL TENSION DISC (1)	
15	E1A2333001	DIAL TENSION DISC	
16	D6B0623000	DIAL TENSION SPRING REGULATOR	(20091215)
17	NB1083000	DIAL TENSION SPRING	(20091103)
18	K50193000	DIAL TENSION REGULATOR	
19	V60273006	DIAL TENSION SPRING PLATE	
20	R10583210	DIAL TENSION KNOB	
21	004500360	WASHER (WW-5)	
22	004300643	WASHER (5.2x10x0.5)	
23	V660033210	DIAL TENSION SUPPORTER PLATE COVER	
24	V61873001	THREAD GUIDE	
25	V60303000	THREAD GUIDE SPRING	
26	003020053	CS-RING (CSTW-5)	
27	G4A1623001	DIAL TENSION GUIDE SPRING TUBE	(20110224)
28	004240146	SET SCREW (M4x15 B)	
29	004240176	SET SCREW (M4x6 D)	
30	004300136	WASHER (4.2x8x0.8)	
31	004240982	SET SCREW (M4x14)	
32	004240056	SET SCREW (M4x6 B)	

NO.	PART NO.	DESCRIPTION	REMARK
33	V880583003	TENSION LEVER REGULATING PLATE	(20091215)
34	004240106	SET SCREW (M4x8 A)	
35	VZ60285006	BOBBIN WINDER FRAME COMPLETE	(20110224)
36	V61165000	BOBBIN WINDER CRANK COMPLETE	
37	V61563003	BOBBIN WINDER CRANK SPRING	
38	F20213000	BOBBIN WINDER RUBBER PULLEY	
39	003010053	E-RING (ETW-5)	
40	003043008	SPRING PIN (ϕ 3x8)	
41	004900063	WASHER (6.2x12x2.0x0.15)	
42	004300076	WASHER (4.2x9x0.5)	
43	004240396	SET SCREW (M4x10)	
44	VZ68763210	ZIGZAG WIDTH DIAL	
45	VZ60103006	ZIGZAG REGULATOR CRANK	
46	003010046	E-RING (ETW-4)	
47	004240066	SET SCREW (M4x8 B)	(20101207)
48	K6A1043003	CLUTCH ROD PLATE	(20110224)
49	P3A1173003	CLUTCH ROD	(20110224)
50	P3A1183003	CLUTCH ROD SPRING	(20110224)

F. FEED REGULATING, FORK ROD, FEED ROCK SHAFT, FEED LIFTING ROCK CRANK

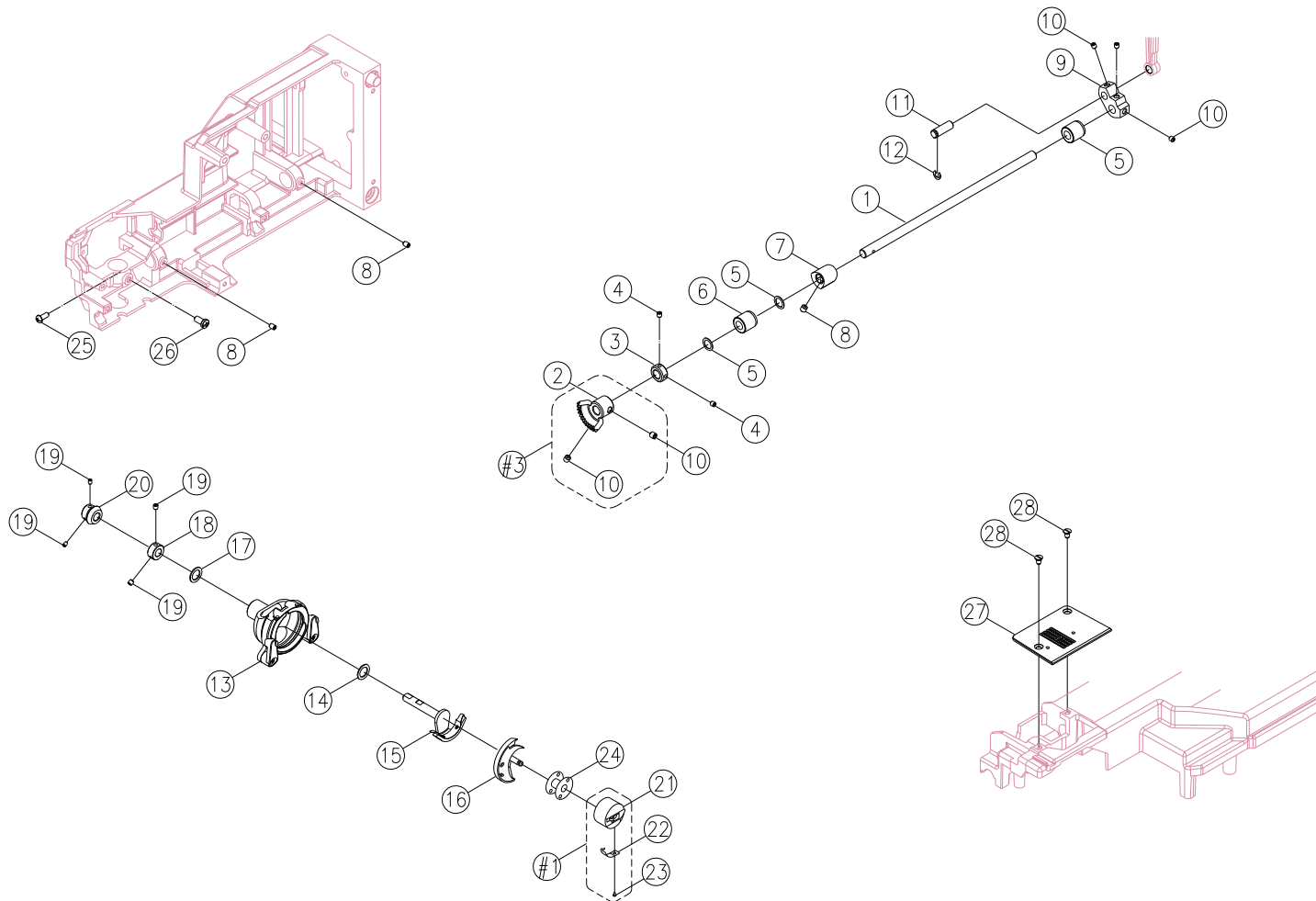


F. FEED REGULATING, FORK ROD, FEED ROCK SHAFT, FEED LIFTING ROCK CRANK

NO.	PART NO.	DESCRIPTION	REMARK
1	V60443000	FEED REGULATING SHAFT	
2	V60433000	FEED REGULATING	
3	V60393003	FEED REGULATING PLATE	
4	V60423003	FEED ROD	
5	003010046	E-RING (ETW-4)	
6	004706013	NUT (9/64×40 T=3)	
7	004106053	SET SCREW (9/64×40×11)	
8	V70063003	FEED REGULATING SPRING	
9	004240223	SET SCREW (M4×6 C)	
10	V60453003	FORK ROD	
11	004400180	ENDURE ATTRITION WASHER (5.7×10.2×0.5)	
12	V60463003	FORK ROD SPRING	
13	V11533000	FEED REGULATING BLOCK	
14	004400450	ENDURE ATTRITION WASHER (5.5×12×0.25)	
15	V60483000	FEED ROCK SHAFT	
16	V60493003	FEET ROCK FRAME	
17	004240106	SET SCREW (M4×8 A)	
18	V60503003	FEED DOG FRAME	
19	V60513003	FEED DOG FRAME SHAFT	
20	003010036	E-RING (ETW-3)	
21	003090043	NUT (SPN-4)	
22	004300136	WASHER (4.2×8×0.8)	
23	V620053000	FEET DOG	
24	004230056	SET SCREW (M3×5 B)	
25	V60533003	FEED DOG FRAME SPRING	
26	V60343000	FEED ROCK BUSHING	
27	003010063	E-RING (ETW-6)	
28	G2D0333003	PATTERN CAM SHAFT COLLAR	(2010224)
29	004240503	SET SCREW (M4×4 C)	
30	004400410	ENDURE ATTRITION WASHER (8.2×12×0.25)	
31	V60553003	FEED ROCK CRANK	
32	004300093	WASHER (4×8×0.5)	

NO.	PART NO.	DESCRIPTION	REMARK
33	004240146	SET SCREW (M4×15 B)	
34	004840073	FEED ROCK CRANK NUT (M4)	
35	003010043	E-RING (ETW-4)	
36	V60563003	BUSHING HOLDER PLATE	
37	V60583003	FEED LIFTING ROCK CRANK	
38	004250323	SEW SCREW	
39	004840022	NUT (M4 T=3)	
40	K81243000	SEW SCREW KNOB	
41	V60593003	FEED LIFTING ROCK SHAFT	
42	004600026	WASHER (4.2×7.2×1.2)	

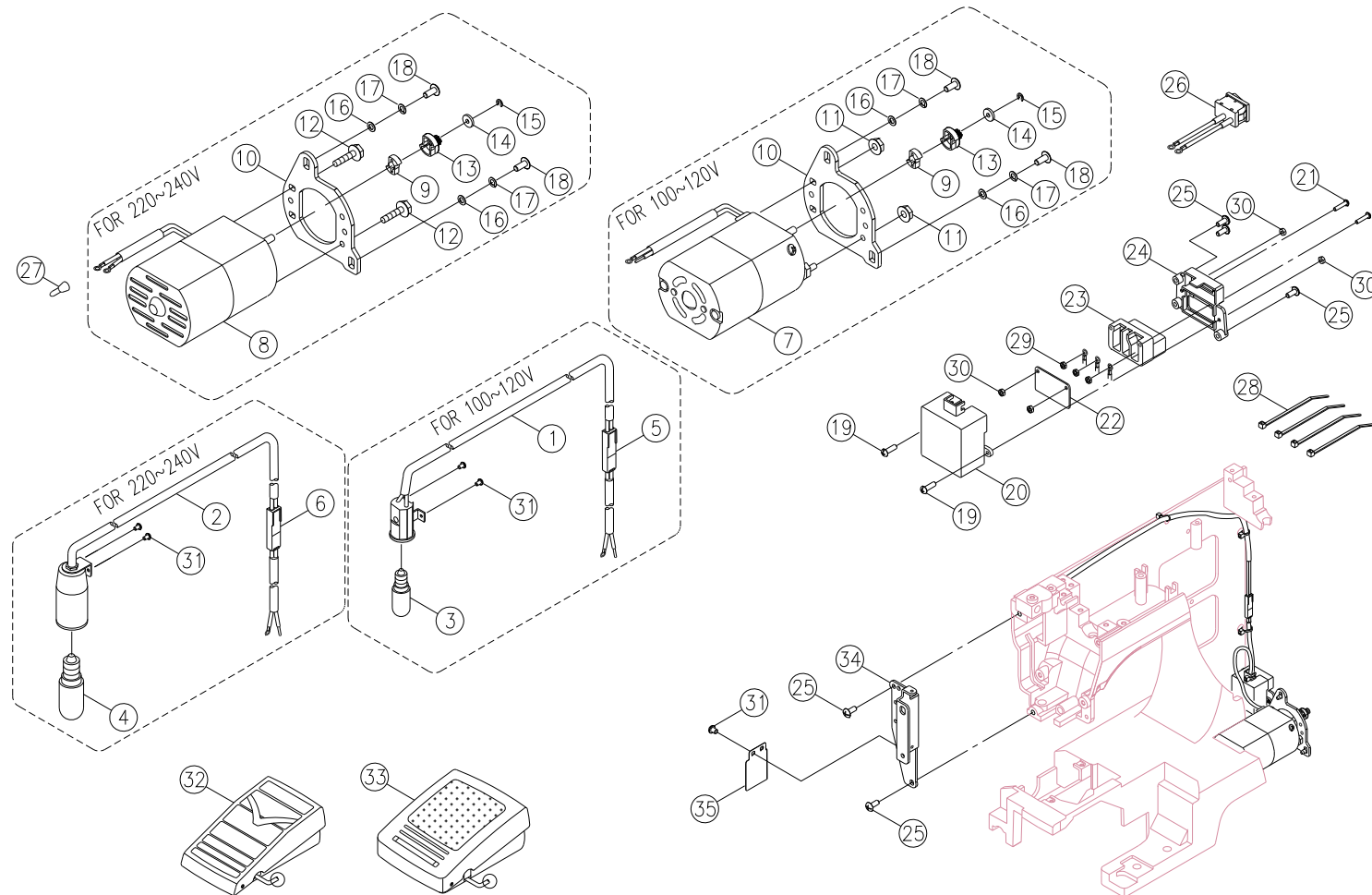
G. LOWER SHAFT, SHUTTLE HOOK



G. LOWER SHAFT, SHUTTLE HOOK

NO.	PART NO.	DESCRIPTION	REMARK
1	M1A0083000	LOWER SHAFT	(20110302)
2	G4A1573000	LOWER SHAFT GEAR	(20100402)
3	G2D0313003	LOWER SHAFT COLLAR	(20100402)
4	004240503	SET SCREW (M4X4C)	
5	004400410	ENDURE ATTRITION WASHER (8.2X12X0.25)	
6	E1A0283000	FEED ROCK BUSHING	(20100402)
7	V6E1123000	FEED LIFTING ROCK CAM	(20100402)
8	004240223	SET SCREW (M4X6C)	
9	V60363000	CRANK CONNECTING ROD CRANK	
10	004250203	SET SCREW (M5X5C)	
11	V10833003	CRANK CONNECTING ROD CRANK PIN	
12	003010053	E-RING (ETW-5)	
13	V10995000	OPEN SHUTTLE RACE COMPLETE	
14	004400800	ENDURE ATTRITION WASHER (7.6×12×0.13)	
15	K81125000	SHUTTLE DRIVER COMPLETE	
16	V62043000	SHUTTLE HOOK (4.6MM)	
17	004400210	ENDURE ATTRITION WASHER (8.2×16×0.5)	
18	G2D0323003	SHUTTLE DRIVER SHAFT COLLAR	(20100402)
19	004107293	SET SCREW(11/64×40×4)	
20	G4A1583000	SHUTTLE DRIVER SHAFT GEAR	(20100402)
21	H71186001	BOBBIN CASE	
22	H13803001	BOBBIN CASE SPRING	
23	H13973002	BOBBIN CASE SPRING SET SCREW	
24	006084009	BOBBIN	
25	004240046	SET SCREW (M4X10B)	
26	004250151	SET SCREW (M5X10B)	
27	V620033001	NEEDLE PLATE	
28	004240851	NEEDLE PLATE COMPLETE SET SCREW	
#1	H71185000	BOBBIN CASE COMPLETE	
#2	G4A1574000	LOWER SHAFT GEAR COMPLETE	(20100402)

H. MOTOR & LAMP HOLDER



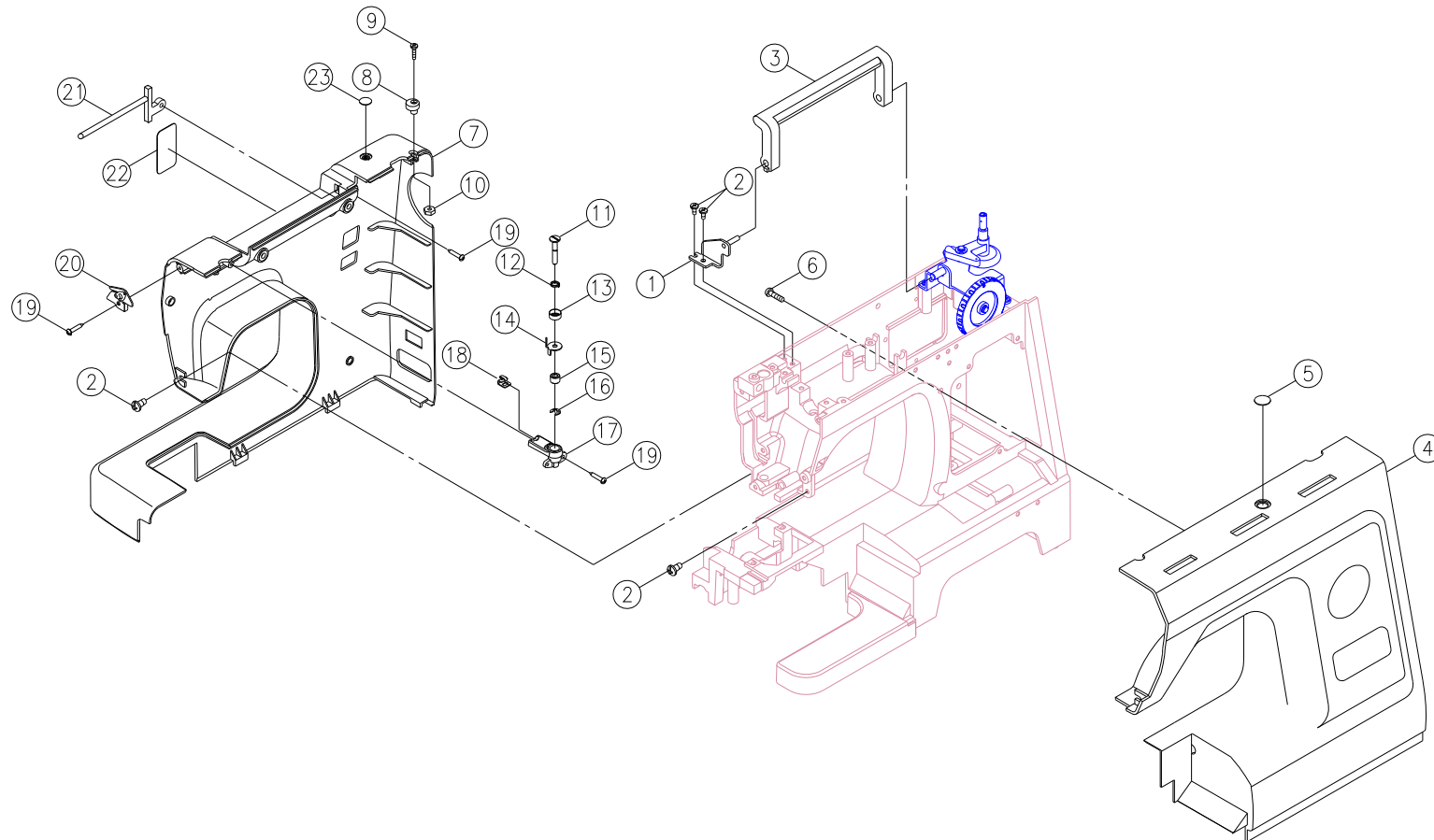
ALL VOLTAGE APPLICATION & SPEC. ,PLEASE CHECK NEXT PAGE.

H. MOTOR & LAMP HOLDER

NO.	PART NO.	DESCRIPTION	REMARK
1		LAMP HOLDER COMPLETE	FOR 100~ 120V
2	002423118	LAMP HOLDER COMPLETE	FOR 220~240V
3		LAMP (10W)	FOR 120V
4		LAMP (15W)	FOR 220V(20100602)
	005240011	LAMP (15W)	FOR 240V
5		LEAD WIRE ASS 'Y	FOR 100~120V
6	002424118	LEAD WIRE ASS 'Y	FOR 220~240V
7		MOTOR COMPLETE HF-07150	FOR 110V /TAIWAN
		MOTOR COMPLETE HF-07150	FOR 110~120V /U.S.A
8		MOTOR COMPLETE HF-07250	FOR 220V /BRAZIL
		MOTOR COMPLETE HF-07250	FOR 220V /KOREA
	001164209	MOTOR COMPLETE HF-07250	FOR 230V /EU.
		MOTOR COMPLETE HF-07250	FOR 240V /U.K
		MOTOR COMPLETE HF-07250	FOR 240V /SAA
9	008059302	CUSHION RUBBER	
10	002397025	MOTOR BRACKET	
11		NUT (M4 T=5.5)	FOR 100~120V
12	004241428	SET SCREW (M4×10.2)	FOR 220~240V
13	002396029	BELT WHEEL	
14	002145029	MOTOR FEED REGULATOR COLLAR	
15	003010036	E-RING (ETW-3)	
16	004300306	WASHER (5.4×10×0.9)	
17	004600296	SPRING WASHER (5.2×9×1)	
18	004250086	SET SCREW (M5×12)	
19	004230286	SET SCREW (M3×8 B)	
20	002248129	RECEPTACLE HOLDER COVER	
21	004230865	SET SCREW (M3×20)	
22	002621129	CONCERT INSULATION PLATE	
23	002624129	RECEPTACLE (Z11)	
24	002252129	RECEPTACLE HOLDER	
25	004240106	SET SCREW (M4×8 A)	
26	002425118	SWITCH ASS 'Y	

NO.	PART NO.	DESCRIPTION	REMARK
27	AA0463000	END TERMED	
28	002027129	CORD CLIP	
29	004840120	NUT (M3×4)	
30	004830016	NUT (M3 T=2.3)	
31	004230056	SET SCREW (M3×5 B)	
32		FOOT CONTROLLER (KD-1902)	FOR 110V / BRAZIL
		FOOT CONTROLLER (KD-1902)	FOR 100~120V / U.S.A
33		FOOT CONTROLLER (KD-2902)	FOR 220V / KOREA
		FOOT CONTROLLER (KD-2902)	FOR 230V / EU.
		FOOT CONTROLLER (KD-2902)	FOR 230V / BRAZIL
		FOOT CONTROLLER (KD-2902)	FOR 230V / ISRAEL
		FOOT CONTROLLER (KD-2902)	FOR 230V / ARGENTINA
	002E9R1007	FOOT CONTROLLER (KD-2902)	FOR 230V/ SOUTH AFRICA
		FOOT CONTROLLER (KD-2902)	FOR 240V / U.K
		FOOT CONTROLLER (KD-2902)	FOR 240V / SAA
34	V61283006	LAMP BRACKET	
35	VG40123000	SHIELD	

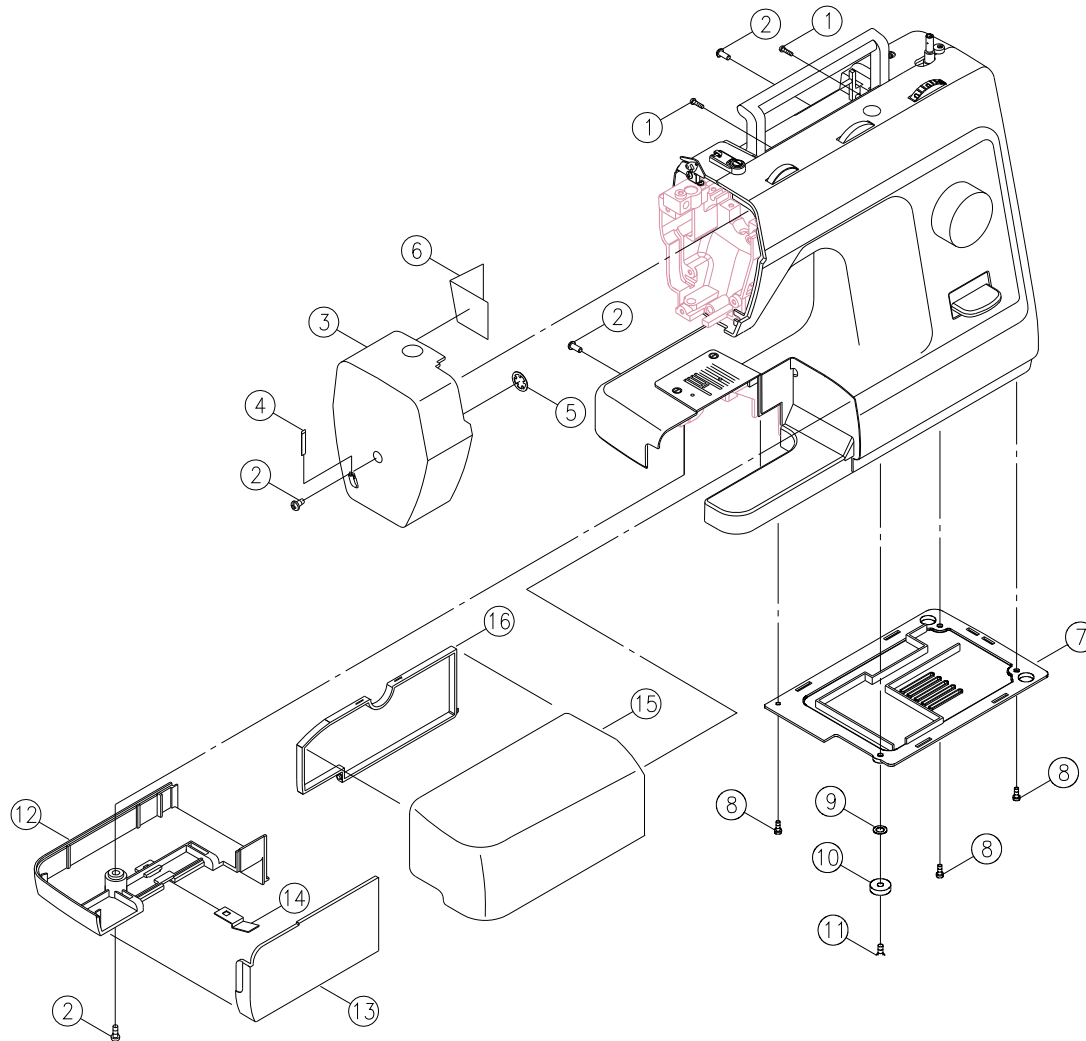
I. FRONT COVER , BACK COVER



I. FRONT COVER , BACK COVER

No.	Part No.	DESCRIPTION	REMARK
1	V62033006	HANDLE BRACKET COMPLETE	
2	004240106	SET SCREW (M4×8 A)	
3	V610243210	HANDLE	
4	VZ6C073210	FRONT COVER	
5	V61503210	PLATE (1)	
6	004240526	SET SCREW (M4×12 B)	
7	VZ6B013210	BACK COVER	
8	E1A2393000	BOBBIN WINDER STOPPER	
9	004106162	SET SCREW (9/64×40×16 B)	
10	004706013	NUT (9/64×40 T=3)	
11	V610213001	BOBBIN WINDER THREAD GUIDE ADJUSTING SCREW	
12	H13153001	BOBBIN WINDER THREAD GUIDE SPRING	
13	H13133001	BOBBIN WINDER SPRING DISC	
14	V610223001	BOBBIN WINDER THREAD GUIDE	
15	V610233006	SPACER	
16	003010036	E-RING (ETW-3)	
17	V610203210	BOBBIN WINDER THREAD GUIDE BASE	
18	V610363001	THREAD GUIDE	
19	004230646	SET SCREW (M3×16.7 B)	
20	V610155000	THREAD GUIDE COMPLETE	
21	V610443210	SPOOL PIN BASE	
22	V61523210	PLATE (2)	
23		PLATE STICKER	

J. FACE PLATE, BOTTOM PLATE, BED COVER, SEWING TABLE

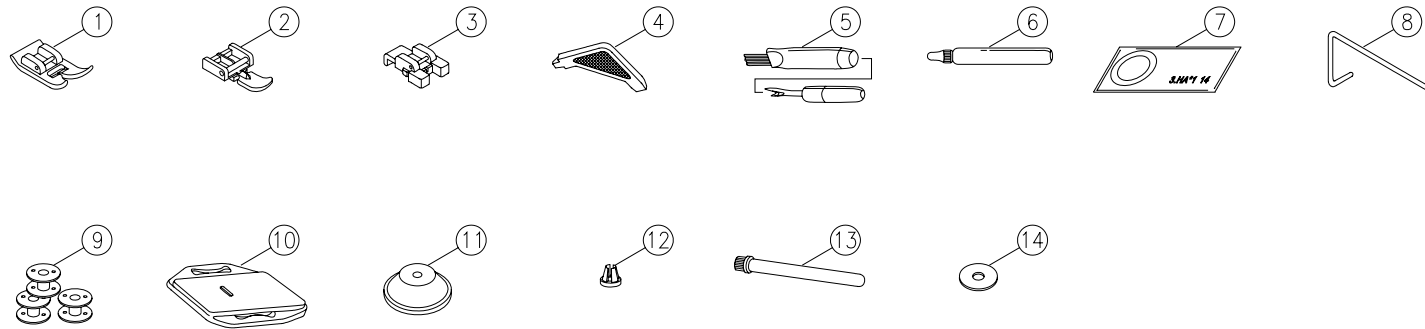


J. FACE PLATE, BOTTOM PLATE, BED COVER, SEWING TABLE

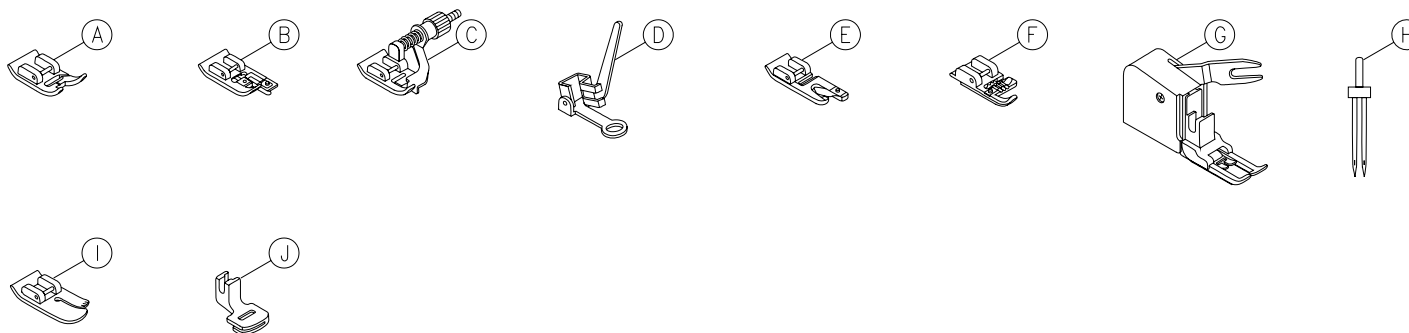
NO.	PART NO.	DESCRIPTION	REMARK
1	004240186	SET SCREW (M4×15 B)	
2	004240046	SET SCREW (M4×10 B)	
3	VZ67173210	FACE PLATE	
4	V630593000	THREAD CUTTER	
5	003020053	CS-RING (CSTW-5)	
6	V61403000	HEAT RESISTANT PLATE	
7	V880453323	BOTTOM PLATE	(20110224)
8	004240106	SET SCREW (M4×8 A)	
9	004300586	WASHER (5.2×16×1.0)	
10	J31413000	FREE ARM BASE CUSHION RUBBER	
11	004240146	SET SCREW (M4×15 B)	
12	V610273210	BED COVER	
13	V610283210	HOOK COVER	
14	R12453002	HOOK COVER SPRING	(20090506)
15	V610313210	SEWING TABLE BODY	
16	V610323210	SEWING TABLE BODY COVER	

K. ACCESSORIES

STANDARD ACCESSORIES



OPTIONAL ACCESSORIES



K. ACCESSORIES

STANDARD ACCESSORIES			
NO.	PART NO.	DESCRIPTION	REMARK
1	006806008	ALL PURPOSE FOOT (J)	
2	006905008	ZIPPER FOOT (I)	
3	006914008	BUTTON SEWING FOOT (H)	
4	006093009	L-SCREWDRIVER	
5	006099008	SEAM RIPPER / BRUSH	
6	006013009	OIL BOTTLE	
7	006014148	PACK OF NEEDLES	
8	006008001	EDGE / QUILTING GUIDE	
9	006084009	BOBBIN	
10	006117009	DARNING PLATE	
11	R12373210	SPOOL HOLDER (LARGE)	
12	TA10943209	SPOOL HOLDER (SMALL)	
13	R60033210	SECOND SPOOL PIN	
14	006015009	SPOOL PIN FELT	

OPTIONAL ACCESSORIES			
NO.	PART NO.	DESCRIPTION	REMARK
A	006804008	SATIN STITCH FOOT	
B	006803008	OVERCASTTING FOOT (G)	
C	006812008	BLIND HEM FOOT (L)	
D	006016008	DARNING / EMBROIDERY FOOT	
E	006800008	HEMMER FOOT	
F	006810008	CORDING FOOT	
G	006815008	WALKING FOOT	
H	006020008	TWIN NEEDLE	
I	006916008	QUILTING FOOT	
J	006917008	GATHERING FOOT	

NOTE: WHEN YOU ORDER ANY SPARE PARTS FROM US, PLEASE COOPERATE WITH US BY WRITING.

- (1) SECTION & SEQUENCE NO.
- (2) NAME OF PARTS
- (3) VOLTAGE, IF NECESSARY
- (4) OTHERS, IF ANY