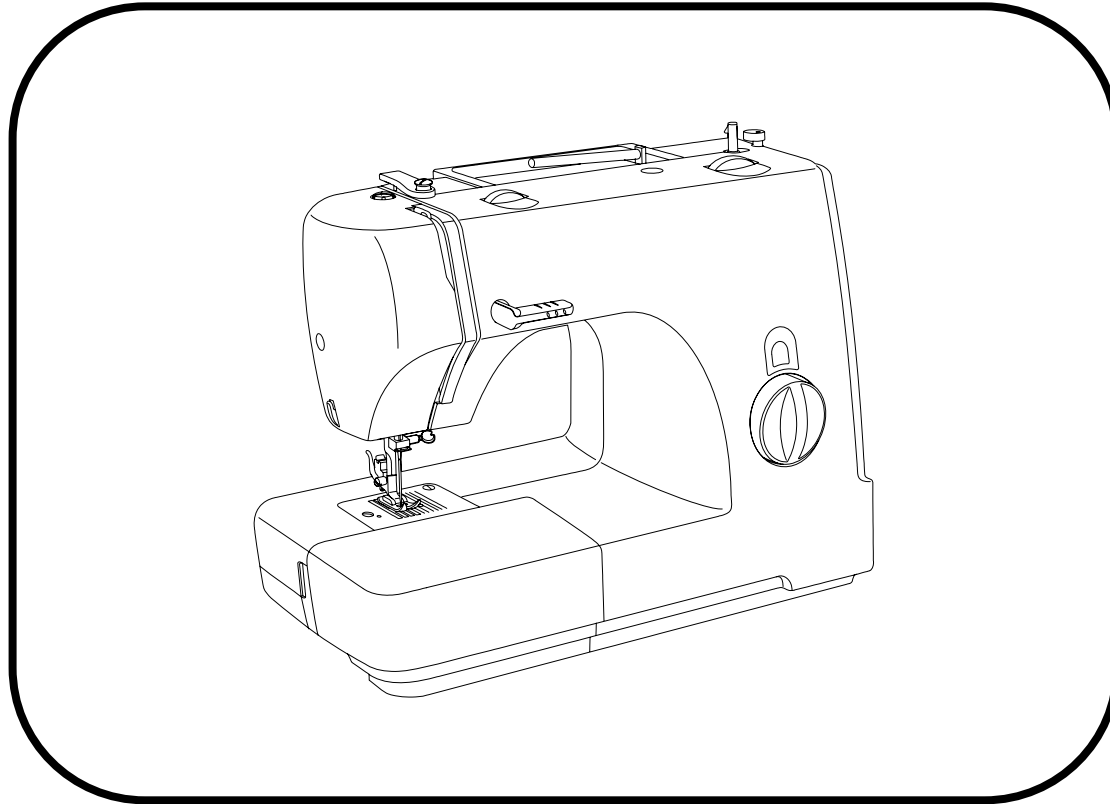


# PARTS LIST

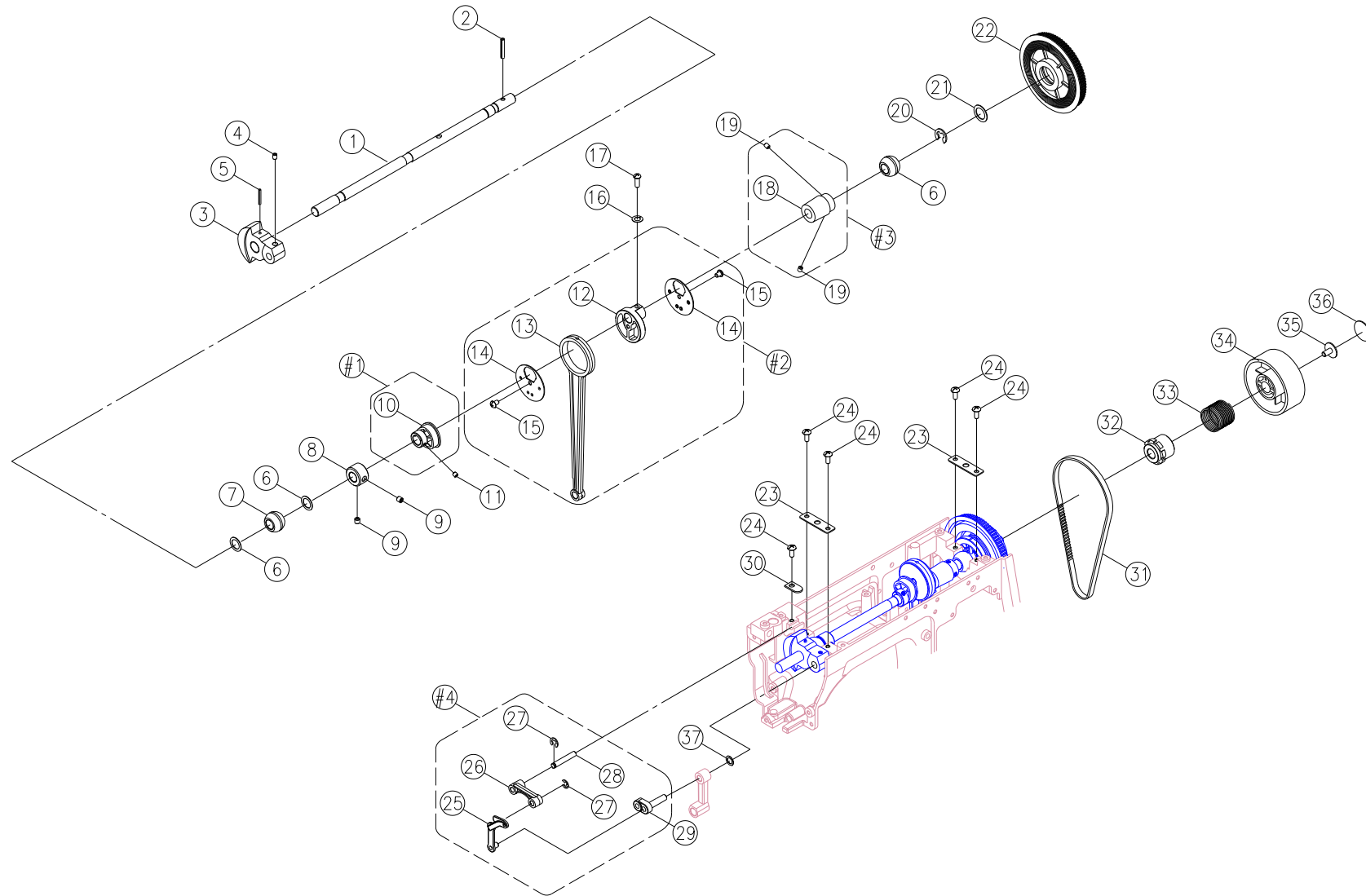


Saito<sup>TM</sup>  
**MODEL SA 1807**

## ~ **LIST OF CONTENTS** ~

A. ARM SHAFT, THREAD TAKE UP LEVER.....	- 1 -
B. PATTERN CAM CONTACT, SELECTOR DIAL, REVERSE PLATE .....	- 3 -
C. PRESSER BAR, NEEDLE BAR SUPPORTER, ZIGZAG REGULATOR.....	- 5 -
D. DIAL TENSION, BOBBIN WINDER, CLUTCH ROD .....	- 7 -
E. FEED REGULATING, FORK ROD, FEED ROCK SHAFT, FEED LIFTING ROCK CRANK.....	- 9 -
F. LOWER SHAFT, SHUTTLE HOOK.....	- 11 -
G. MOTOR & LAMP HOLDER .....	- 13 -
H. FRONT COVER, BACK COVER.....	- 15 -
I. FACE PLATE, BOTTOM PLATE, BED COVER, SEWING TABLE.....	- 17 -
J. ACCESSORIES.....	- 19 -

## A. ARM SHAFT, THREAD TAKE UP LEVER

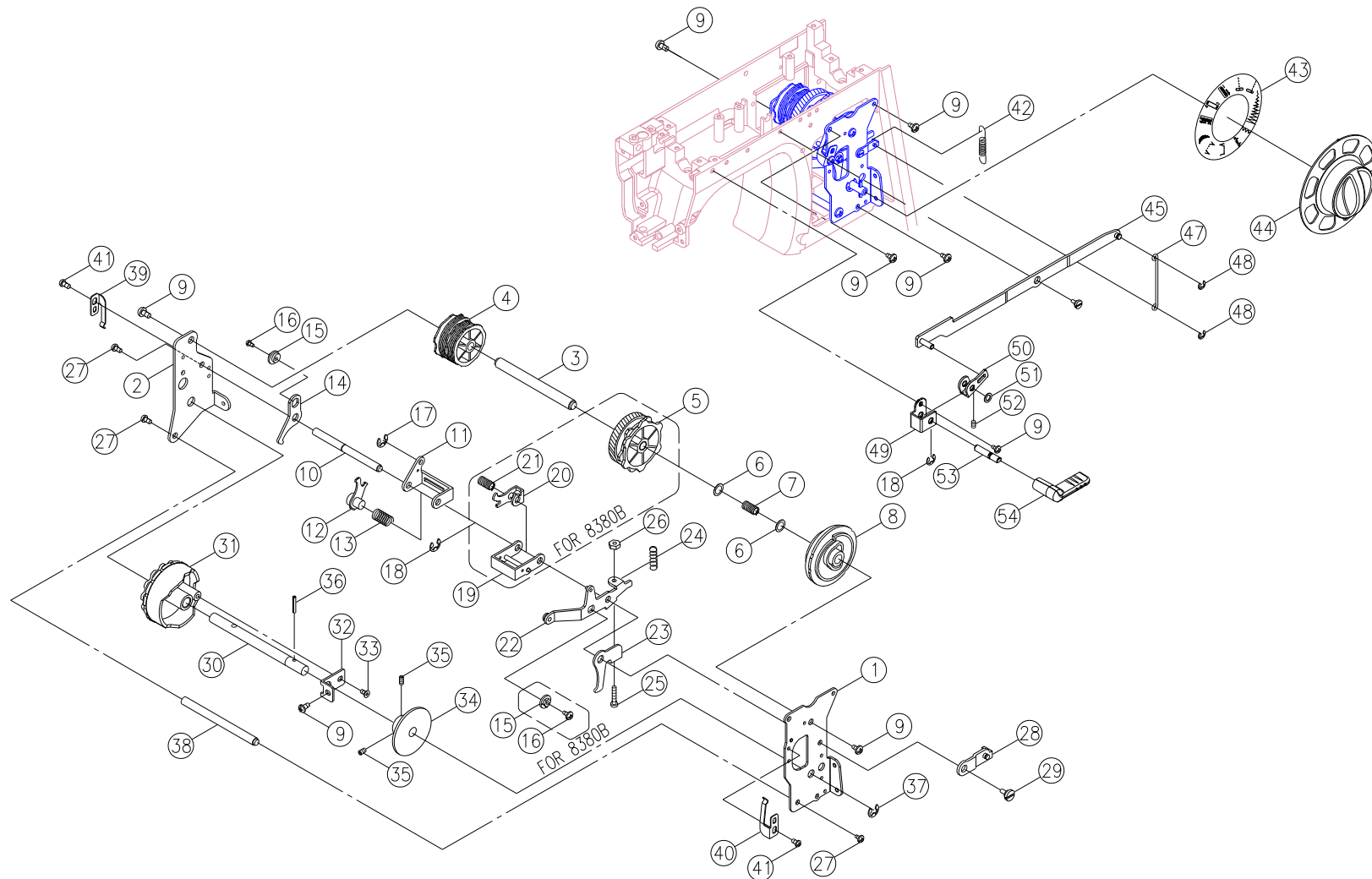


## A. ARM SHAFT, THREAD TAKE UP LEVER

NO.	PART NO.	DESCRIPTION	REMARK
1	V60033000	ARM SHAFT	
2	003043018	SPRING PIN( $\phi$ 3×18)	
3	V61473000	ARM SHAFT BALANCE	
4	004240223	SET SCREW(M4×6 C)	
5	003043524	ARM SHAFT BALANCE PIN ( $\phi$ 3.5×24)	
6	004400080	ENDURE ATTRITION WASHER (10.2×15×0.5)	
7	R10293000	ARM SHAFT BUSING	
8	R10313000	ARM SHAFT COLLAR	
9	004250203	SET SCREW(M5×5 C)	
10	G4A0533000	FEED CAM	
11	004240503	SET SCREW(M4×4 C)	
12	V880603003	CRANK CONNECTING ROD CAM	(20110106)
13	V880213000	CRANK CONNECTING ROD	(20110106)
14	V880613003	CRANK CONNECTING ROD COVER	(20110106)
15	0042400012	SET SCREW (M4X4 B)	(20110106)
16	004600026	WASHER(4.2×7.2×1.2)	
17	004107063	SET SCREW(11/64×40×12)	
18	V880423000	ARM SHAFT WORM	(20080411)
19	004240033	SET SCREW(M4×5 C)	(20080411)
20	003010093	E-RING (ETW-9)	
21	004300853	WASHER(10.2×15×0.5)	
22	E4A0143210	ARM SHAFT DRIVER BELT PULLEY	
23	V60113003	ARM SHAFT BUSHING HOLDER PLATE	
24	004240106	SET SCREW(M4×8 A)	
25	E1A2513001	THREAD TAKE UP LEVER	
26	V10523000	THREAD TAKE UP LEVER SUPPORTER	
27	003010043	E-RING (ETW-4)	
28	V60223003	THREAD TAKE UP LEVER SUPPORTER SHAFT	
29	V10543000	ARM SHAFT BALANCE PIN	
30	H13093003	SET WASHER	
31	007156XXL5	MOTOR DRIVE BELT (156XXL)	(20070531)
32	R10403000	ARM SHAFT COLLAR	

NO.	PART NO.	DESCRIPTION	REMARK
33	R10393000	ARM SHAFT CLUTCH ANNULUS SPRING	
34	V880093210	HAND WHEEL	
35	0042500016	SET SCREW (M5X10)	(20070924)
36	V16893210	HAND WHEEL DECORATED PLATE	
37	0044000020	ENDURE ATTRITION WASHER (6.2×12×0.25)	(20081006)
#1	G4A0535000	FEED CAM COMPLETE	
#2	V880214000	CRANK CONNECTING ROD COMPLETE	(20110106)
#3	V880424000	ARM SHAFT WORM COMPLETE	
#4	E1A2534000	THREAD TAKE UP LEVER COMPLETE	

## B. PATTERN CAM CONTACT, SELECTOR DIAL, REVERSE PLATE



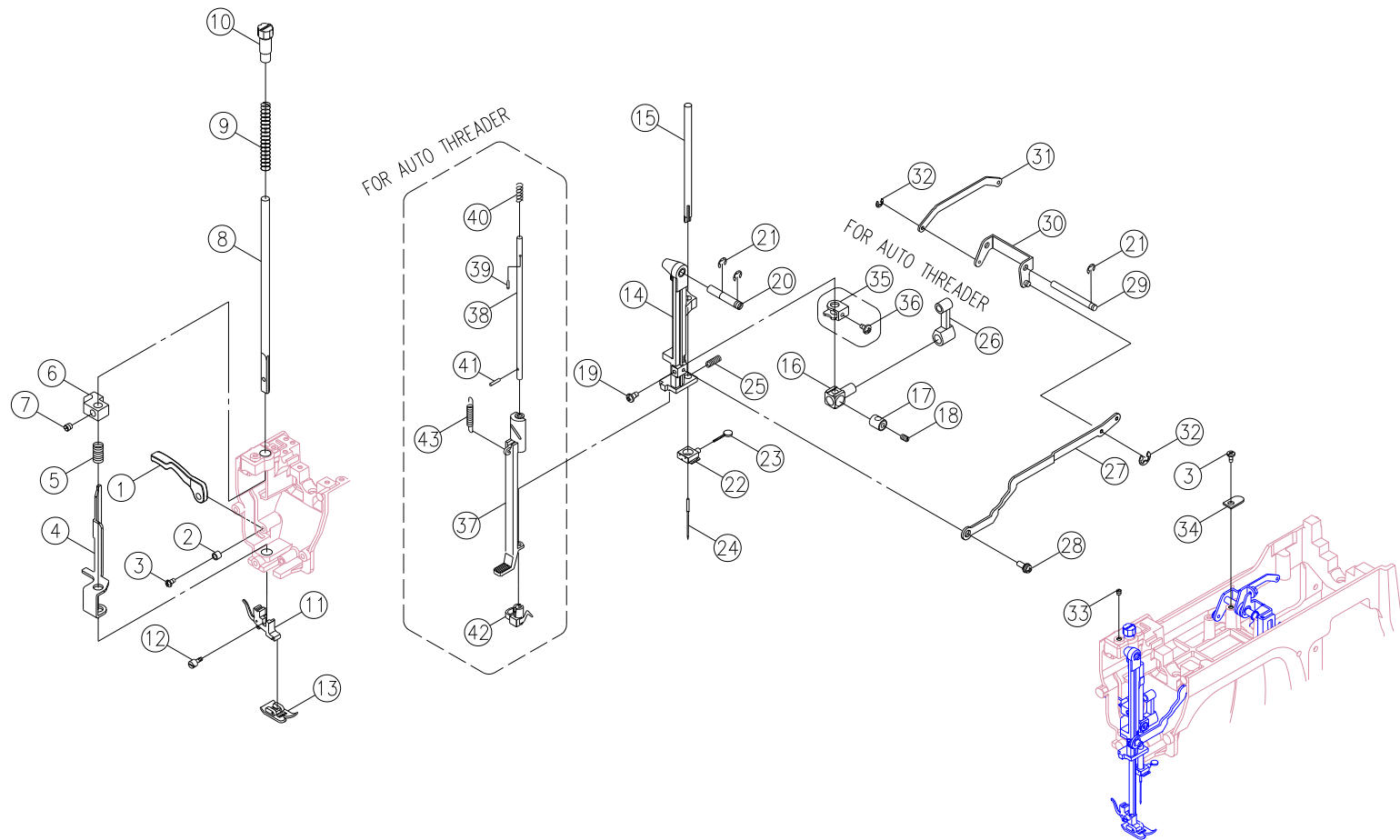
TAKE CARE THE CIRCLED PARTS FOR THE MODEL YOU WANT.

## B. PATTERN CAM CONTACT, SELECTOR DIAL, REVERSE PLATE

NO.	PART NO.	DESCRIPTION	REMARK
1	V6E0363003	PATTERN CAM CONTACT PLATE (FRONT)	(20090313)
2	V60633008	PATTERN CAM CONTACT PLATE (BACK)	
3	V60643003	PATTERN CAM SHAFT	
4	V90023000	PATTERN CAM	
5		SS CAM	8380B
6	004300823	WASHER (8.1×16×0.2)	
7	V11603003	PATTERN CAM SHAFT SPRING	
8	V60683000	STITCH LENGTH CAM	
9	004240106	SET SCREW (M4×8 A)	
10	V60693000	ZIGZAG CAM CONTACT SUPPORTER SHAFT	
11	V60703008	ZIGZAG CAM CONTACT SUPPORTER	
12	V60713003	ZIGZAG CAM CONTACT	
13	V10693003	ZIGZAG CAM CONTACT SPRING	
14	V60723003	ZIGZAG REGULATOR PLATE	
15	V60733000	ZIGZAG REGULATOR NUT	
16	004230316	SET SCREW (M3×10 B)	
17	003010043	E-RING (ETW-4)	
18	003010053	E-RING (ETW-5)	
19		SS CAM CONTACT SUPPORTER	8380B
20		SS CAM CONTACT	8380B
21		SS CAM CONTACT SPRING	8380B
22	V880375000	FEED REGULATOR CRANK COMPLETE	
23	V60803003	BH REGULATOR PLATE	
24	V60813003	BH SPRING	
25	004240706	SET SCREW	
26	004840106	NUT (ALN-4)	
27	004230016	SET SCREW (M3×6 A)	
28	V610063003	REVERSE PLATE	
29	0042340583	REVERSE PLATE SCREW	
30	V880303003	PATTERN SELECTOR CAM SHAFT	
31	V810083000	PATTERN SELECTOR CAM	
32	V60853003	PATTERN SELECTOR CAM PLATE	

NO.	PART NO.	DESCRIPTION	REMARK
33	004240166	SET SCREW (M4×8 A)	
34	V60863000	BH PATTERN SELECTOR CAM	
35	004240503	SET SCREW (M4×4 C)	
36	003043018	SPRING PIN (Φ3×18×0.6)	
37	003010063	E-RING (ETW-6)	
38	V60823003	PATTERN CAM CONTACT SUPPORTER SHAFT	
39	V60873003	PATTERN PLATE	
40	V60883003	STITCH LENGTH PLATE	
41	004240056	SET SCREW (M4×6 B)	
42	M70093000	SPRING	
43	V88D173210	PATTERN SELECTOR PLATE	
44	V882023210	PATTERN SELECTOR DIAL	
45	V880283006	REVERSE LEVER	
46	004240883	REVERSE LEVER SET SCREW (M4)	
47	V610093003	REVERSE ROD	
48	003010036	E-RING (ETW-3)	
49	V880273006	REVERSE KNOB SHAFT MOUNTING PLATE	
50	V880263006	REVERSE CONNECTING PLATE	
51	004400260	WASHER(6.2×14×0.13)	
52	004240223	SET SCREW (M4×6 C)	
53	V880253006	REVERSE KNOB SHAFT	
54	V882043210	REVERSE KNOB	

## C. PRESSER BAR, NEEDLE BAR SUPPORTER, ZIGZAG REGULATOR



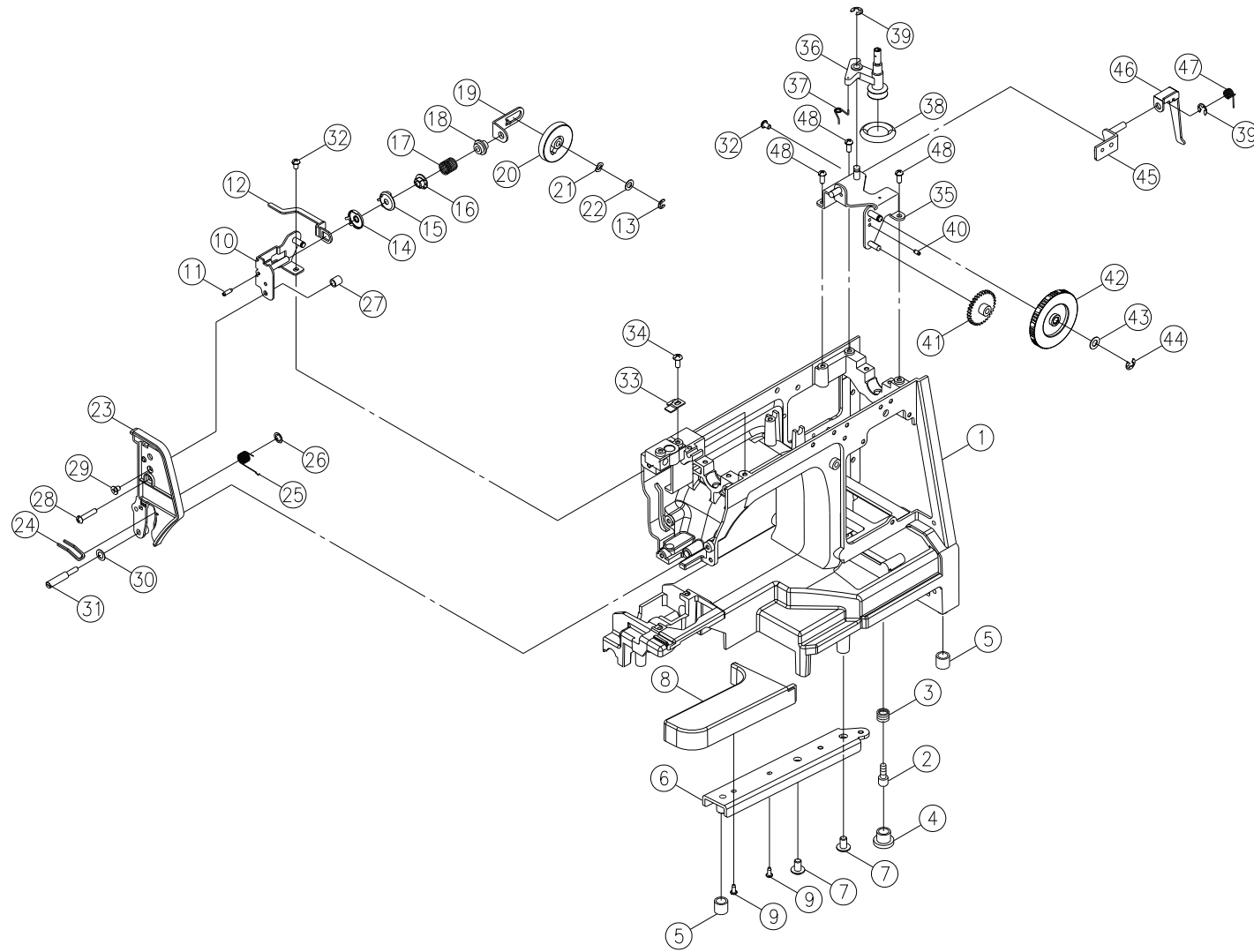
### C. PRESSER BAR, NEEDLE BAR SUPPORTER, ZIGZAG REGULATOR

NO.	PART NO.	DESCRIPTION	REMARK
1	V880153000	PRESSER BAR LIFTER LEVER	
2	V60163000	PRESSER BAR LIFTER LEVER SCREW WASHER	
3	004240046	SET SCREW (M4X10 B)	
4	V880573003	TENSION LEVER LIFTER	(20090828)
5	H10723003	TENSION LEVER LIFTER SPRING	
6	H10533002	PRESSER BAR BRACKET	
7	004260023	SET SCREW(M6×5C)	
8	V70153002	PRESSER BAR	
9	V70163003	PRESSER BAR SPRING	
10	V620163210	PRESSER BAR REGULATING SCREW	
11	006187008	SHANK COMPLETE	(20100104)
12	004106221	SHANK SCREW (9/64×40×8)	
13	006806008	ZIGZAG PRESSER FOOT COMPLETE (J)	
14		NEEDLE BAR SUPPORTER	FOR AUTO THREADER
	V61973002	NEEDLE BAR SUPPORTER	
15	V70273000	NEEDLE BAR	
16	H10253000	NEEDLE BAR BRACKET (1)	
17	H10263000	NEEDLE BAR BRACKET (2)	
18	004240503	SET SCREW(M4×0.7×4 C)	
19	004106202	SET SCREW(9/64×40×6)	
20		NEEDLE BAR SUPPORTER PIN	FOR AUTO THREADER
	N80223003	NEEDLE BAR SUPPORTER PIN	
21	003010053	E-RING(ETW-5)	
22	TA11033002	NEEDLE CLAMP	
23	G10176002	NEEDLE CLAMP SCREW	
24	006046148	NEEDLE	
25	H50583003	NEEDLE BAR SUPPORTER SPRING	
26	V60193000	NEEDLE BAR CRANK ROD	(20090910)
27	V70023003	NEEDLE BAR DRIVING ROD	
28	V6E0413000	NEEDLE BAR DRIVING ROD PIN	(20081027)
29	V70103003	ZIGZAG CAM CONTACT SUPPORTER SHAFT	
30	V70093003	ZIGZAG REGULATOR CRANK	

NO.	PART NO.	DESCRIPTION	REMARK
31	V61043003	ROD	
32	003010043	E-RING (ETW-4)	
33	004240033	SET SCREW(M4×5 C)	
34	H13093003	SET WASHER	
35		AUTO THREADER STOPPER	
36		SET SCREW (M3×6 A)	
37		AUTO THREAD LEVER	
38		AUTO THREADER SHAFT	
39		AUTO THREADER SHAFT PIN (φ2×14)	
40		AUTO THREADER SHAFT SPRING	
41		SHAFT PIN (φ2×6)	
42		AUTO THREADER	
43		AUTO THREADER LEVER SPRING	



## D. DIAL TENSION, BOBBIN WINDER, CLUTCH ROD

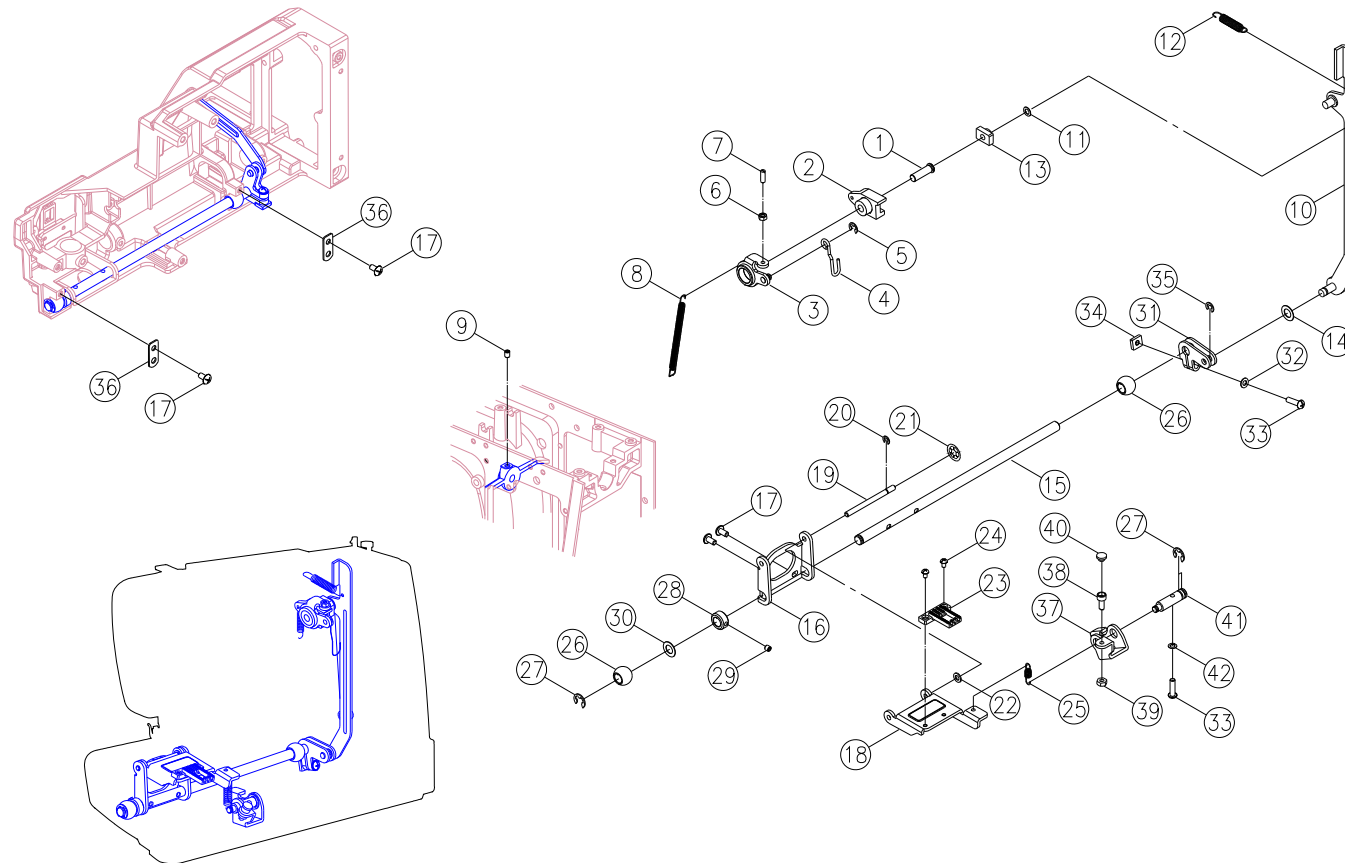


## D. DIAL TENSION, BOBBIN WINDER, CLUTCH ROD

NO.	PART NO.	DESCRIPTION	REMARK
1	V6E1013000	ARM	(20101231)
2	K82133006	BASE PLATE ADJUSTMENT SCREW	
3	K82073003	BASE PLATE ADJUSTMENT SCREW SPRING	
4	E1A2503002	ADJUSTMENT FREE ARM BASE CUSHION RUBBER	
5	K6A0063000	FREE ARM BASE CUSHION RUBBER	(20110316)
6	V6E1024000	FREE ARM FOOT	(20101231)
7	004260056	SET SCREW (M6X10)	(20101231)
8	V6E1143210	FREE ARM FOOT BASE	(20101231)
9	004230842	SET SCREW (M3×8)	(20101231)
10	V880553002	DIAL TENSION SUPPORTER PLATE	(20090828)
11	003043010	SPRING PIN (φ3×10)	
12	V880563003	DIAL TENSION WAFT PLATE	(20090828)
13	003010043	E-RING (ETW-4)	
14	J30423001	DIAL TENSION DISC (1)	
15	E1A2333001	DIAL TENSION DISC	
16	D6B0623000	DIAL TENSION SPRING REGULATOR	(20090828)
17	NB1083000	DIAL TENSION SPRING	(20091103)
18	K50193000	DIAL TENSION REGULATOR	
19	V60273006	DIAL TENSION SPRING PLATE	
20	V88D023210	DIAL TENSION KNOB	
21	004500360	WASHER (WW-5)	
22	004300643	WASHER (5.2×10×0.5)	
23	V88A013185	DIAL TENSION SUPPORTER PLATE COVER	
24	V61873001	THREAD GUIDE	
25	V60303000	THREAD GUIDE SPRING	
26	003020053	CS-RING (CSTW-5)	
27	H111103001	DIAL TENSION GUIDE SPRING TUBE	
28	004240146	SET SCREW (M4×15 B)	
29	004240176	SET SCREW (M4×6 D)	
30	004300136	WASHER (4.2×8×0.8)	
31	004240982	SET SCREW (M4×14)	
32	004240056	SET SCREW (M4×6 B)	

NO.	PART NO.	DESCRIPTION	REMARK
33	V880583003	TENSION LEVER REGULATING PLATE	(20090828)
34	004240106	SET SCREW (M4×8 A)	
35	V880505006	BOBBIN WINDER FRAME	(20101231)
36	V61165000	BOBBIN WINDER CRANK COMPLETE	
37	V61563003	BOBBIN WINDER CRANK SPRING	
38	F20213000	BOBBIN WINDER RUBBER PULLEY	
39	003010053	E-RING (ETW-5)	
40	003043008	SPRING PIN (φ3×8×0.6)	
41	V61183000	STITCH LENGTH GEAR	
42	003010046	E-RING (ETW-4)	
43	V88R023210	STITCH LENGTH DIAL COMPLETE	
44	004300186	WASHER (6.2×12×0.5)	
45	K6A1043003	CLUTCH ROD PLATE	(20101231)
46	P3A1173003	CLUTCH ROD	(20101231)
47	P3A1183003	CLUTCH ROD SPRING	(20101231)
48	004240066	SET SCREW (M4×8 B)	(20101207)

## E. FEED REGULATING, FORK ROD, FEED ROCK SHAFT, FEED LIFTING ROCK CRANK

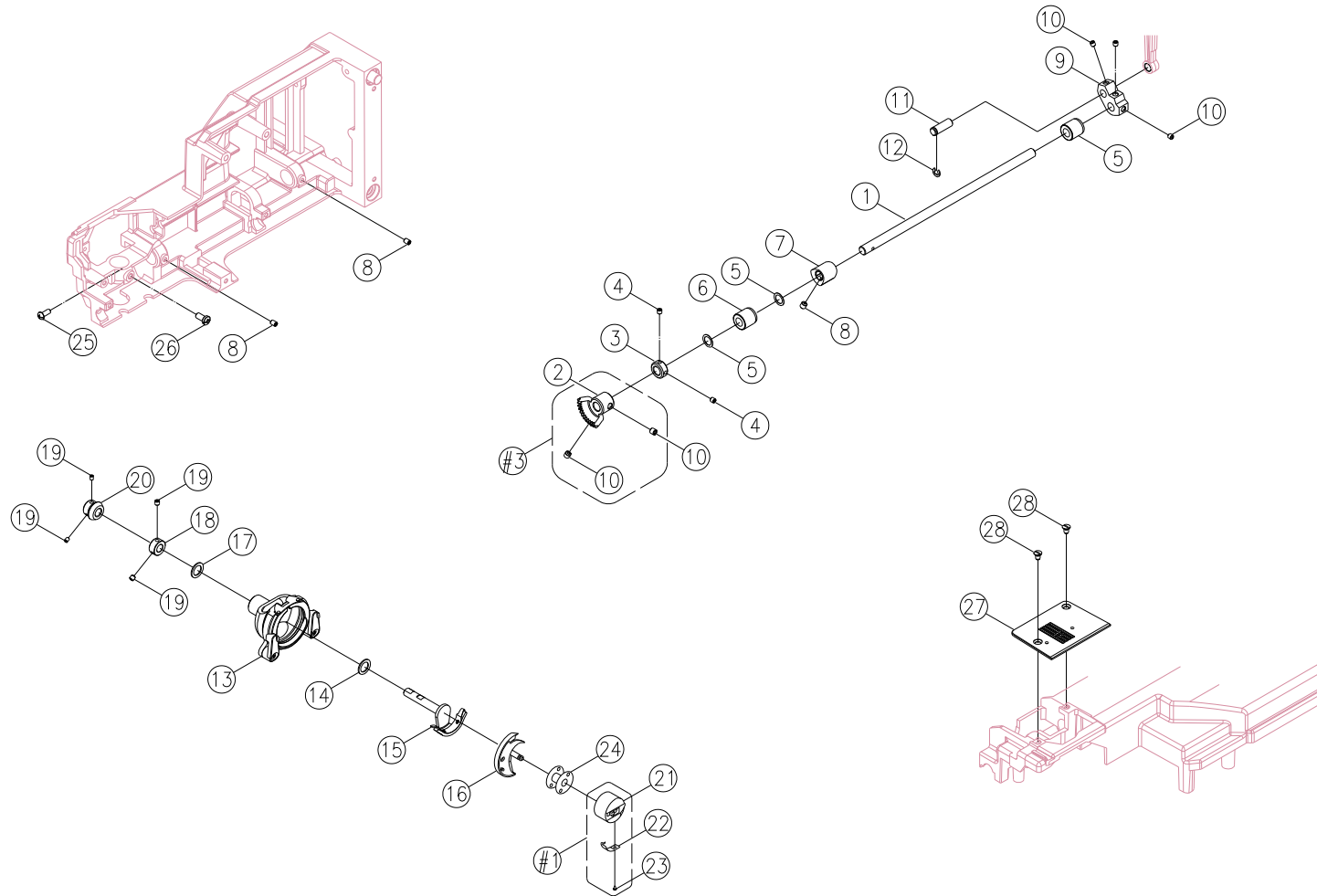


## E. FEED REGULATING, FORK ROD, FEED ROCK SHAFT, FEED LIFTING ROCK CRANK

NO.	PART NO.	DESCRIPTION	REMARK
1	V60443000	FEED REGULATING SHAFT	
2	V60433000	FEED REGULATING	
3	V60393003	FEED REGULATING PLATE	
4	V60423003	FEED ROD	
5	003010046	E-RING (ETW-4)	
6	004706013	NUT (9/64×40 T=3)	
7	004106053	SET SCREW (9/64×40×11)	
8	V70063003	FEED REGULATING SPRING	
9	004240223	SET SCREW (M4×6 C)	
10	V60453003	FORK ROD	
11	004400180	ENDURE ATTRITION WASHER (5.7×10.2×0.5)	
12	V60463003	FORK ROD SPRING	
13	V11533000	FEED REGULATING BLOCK	
14	004400450	ENDURE ATTRITION WASHER (5.5×12×0.25)	
15	V60483000	FEED ROCK SHAFT	
16	V60493003	FEET ROCK FRAME	
17	004240106	SET SCREW (M4×8 A)	
18	V60503003	FEED DOG FRAME	
19	V60513003	FEED DOG FRAME SHAFT	
20	003010036	E-RING (ETW-3)	
21	003090043	NUT (SPN-4)	
22	004300136	WASHER (4.2×8×0.8)	
23	V620053000	FEET DOG	
24	004230056	SET SCREW (M3×5 B)	
25	V60533003	FEED DOG FRAME SPRING	
26	V60343000	FEED ROCK BUSHING	
27	003010063	E-RING (ETW-6)	
28	G2D0333003	PATTERN CAM SHAFT COLLAR	(20101231)
29	004240503	SET SCREW (M4×4 C)	
30	004400410	ENDURE ATTRITION WASHER (8.2×12×0.25)	
31	V60553003	FEED ROCK CRANK	
32	004300093	WASHER (4×8×0.5)	

NO.	PART NO.	DESCRIPTION	REMARK
33	004240146	SET SCREW (M4×15 B)	
34	004840073	FEED ROCK CRANK NUT (M4)	
35	003010043	E-RING (ETW-4)	
36	V60563003	BUSHING HOLDER PLATE	
37	V60583003	FEED LIFTING ROCK CRANK	
38	004250323	SEW SCREW	
39	004840022	NUT (M4 T=3)	
40	K81243000	SEW SCREW KNOB	
41	V60593003	FEED LIFTING ROCK SHAFT	
42	004600026	WASHER (4.2×7.2×1.2)	

## F. LOWER SHAFT, SHUTTLE HOOK



## F. LOWER SHAFT, SHUTTLE HOOK

NO.	PART NO.	DESCRIPTION	REMARK
1	M1A0083000	LOWER SHAFT	(20110302)
2	G4A1573000	LOWER SHAFT GEAR	(20101231)
3	G2D0313003	LOWER SHAFT COLLAR	(20101231)
4	004240503	SET SCREW (M4X4C)	
5	004400410	ENDURE ATTRITION WASHER (8.2X12X0.25)	
6	E1A0283000	FEED ROCK BUSHING	(20101231)
7	V6E1123000	FEED LIFTING ROCK CAM	(20101231)
8	004240223	SET SCREW (M4X6C)	
9	V60363000	CRANK CONNECTING ROD CRANK	
10	004250203	SET SCREW (M5X5C)	
11	V10833003	CRANK CONNECTING ROD CRANK PIN	
12	003010053	E-RING (ETW-5)	
13	V10995000	OPEN SHUTTLE RACE COMPLETE	
14	004400800	ENDURE ATTRITION WASHER (7.6×12×0.13)	
15	K81125000	SHUTTLE DRIVER COMPLETE	
16	V62043000	SHUTTLE HOOK (4.6MM)	
17	004400210	ENDURE ATTRITION WASHER (8.2×16×0.5)	
18	G2D0323003	SHUTTLE DRIVER SHAFT COLLAR	(20101231)
19	004107293	SET SCREW(11/64×40×4)	
20	G4A1583000	SHUTTLE DRIVER SHAFT GEAR	(20101231)
21	H71186001	BOBBIN CASE	
22	H13803001	BOBBIN CASE SPRING	
23	H13973002	BOBBIN CASE SPRING SET SCREW	
24	006084009	BOBBIN	
25	004240046	SET SCREW (M4X10B)	
26	004250151	SET SCREW (M5X10B)	
27	V620033001	NEEDLE PLATE	
28	004240851	NEEDLE PLATE COMPLETE SET SCREW	
#1	H71185000	BOBBIN CASE COMPLETE	
#2	G4A1574000	LOWER SHAFT GEAR COMPLETE	(20101231)



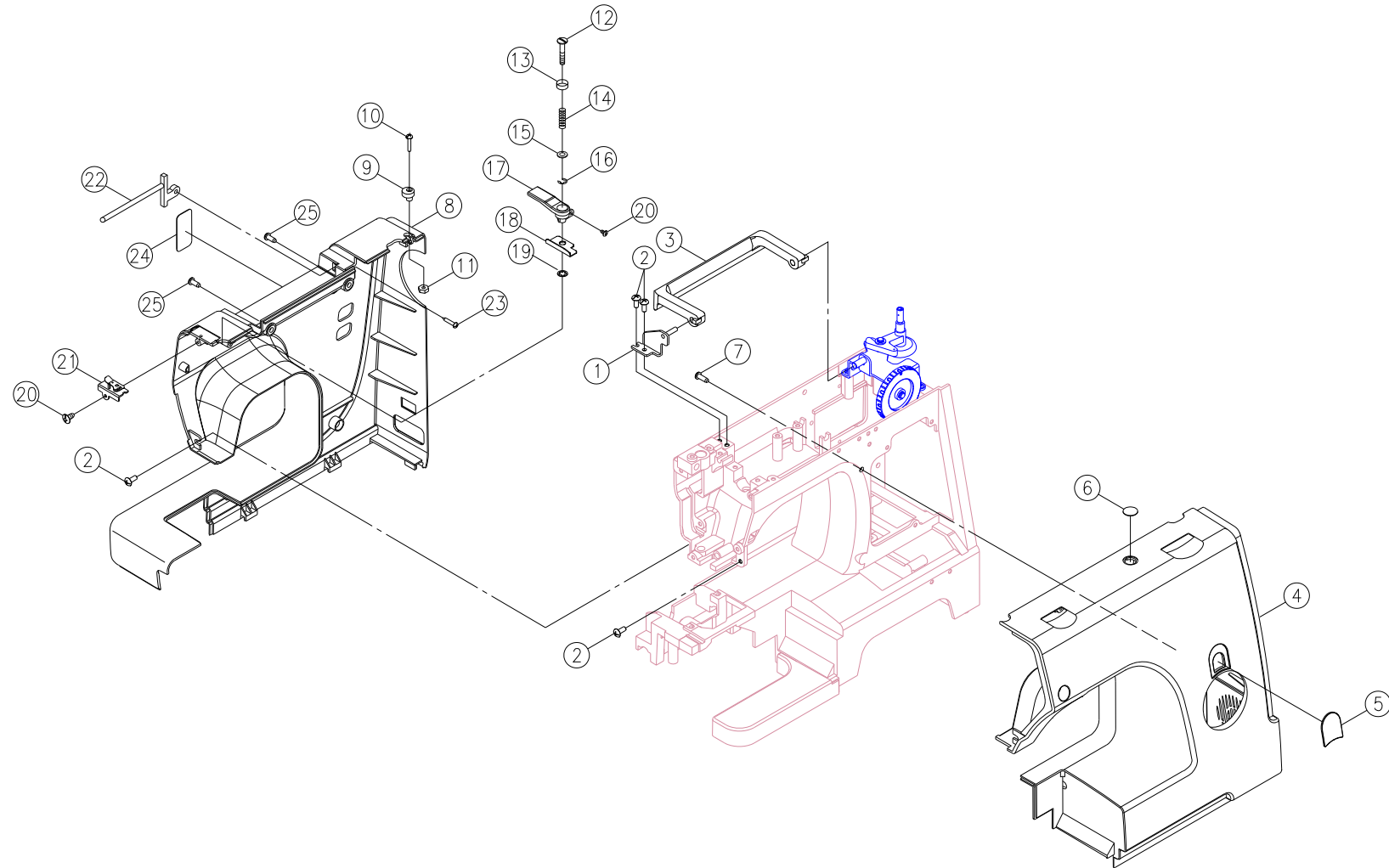
## G. MOTOR &amp; LAMP HOLDER

NO.	PART NO.	DESCRIPTION	REMARK
1		LAMP HOLDER COMPLETE	FOR 100~ 120V
2	002423118	LAMP HOLDER COMPLETE	FOR 220~240V
3		LAMP (10W)	FOR 120V
4		LAMP (15W)	FOR 220V(20100602)
	005240011	LAMP (15W)	FOR 240V
5		LEAD WIRE ASS 'Y	FOR 100~120V
6	002424118	LEAD WIRE ASS 'Y	FOR 220~240V
7		MOTOR COMPLETE HF-07150	FOR 110V /TAIWAN
		MOTOR COMPLETE HF-07150	FOR 110~120V /U.S.A
8		MOTOR COMPLETE HF-07250	FOR 220V /BRAZIL
		MOTOR COMPLETE HF-07250	FOR 220V /KOREA
	001164209	MOTOR COMPLETE HF-07250	FOR 230V /EU.
		MOTOR COMPLETE HF-07250	FOR 240V /U.K
		MOTOR COMPLETE HF-07250	FOR 240V /SAA
9	008059302	CUSHION RUBBER	
10	002397025	MOTOR BRACKET	
11		NUT (M4 T=5.5)	FOR 100~120V
12	004241428	SET SCREW (M4×10.2)	FOR 220~240V
13	002396029	BELT WHEEL	
14	002145029	MOTOR FEED REGULATOR COLLAR	
15	003010036	E-RING (ETW-3)	
16	004300306	WASHER (5.4×10×0.9)	
17	004600296	SPRING WASHER (5.2×9×1)	
18	004250086	SET SCREW (M5×12)	
19	004230286	SET SCREW (M3×8 B)	
20	002248129	RECEPTACLE HOLDER COVER	
21	004230865	SET SCREW (M3×20)	
22	002621129	CONCERT INSULATION PLATE	
23	002624129	RECEPTACLE (Z11)	
24	002252129	RECEPTACLE HOLDER	
25	004240106	SET SCREW (M4×8 A)	
26	002425118	SWITCH ASS 'Y	

NO.	PART NO.	DESCRIPTION	REMARK
27	AA0463000	END TERMED	
28	002027129	CORD CLIP	
29	004840120	NUT (M3×4)	
30	004830016	NUT (M3 T=2.3)	
31	004230056	SET SCREW (M3×5 B)	
32		FOOT CONTROLLER (KD-1902)	FOR 110V / BRAZIL
		FOOT CONTROLLER (KD-1902)	FOR 100~120V / U.S.A
33		FOOT CONTROLLER (KD-2902)	FOR 220V / KOREA
		FOOT CONTROLLER (KD-2902)	FOR 230V / EU.
		FOOT CONTROLLER (KD-2902)	FOR 230V / BRAZIL
		FOOT CONTROLLER (KD-2902)	FOR 230V / ISRAEL
		FOOT CONTROLLER (KD-2902)	FOR 230V / ARGENTINA
	002E9R1007	FOOT CONTROLLER (KD-2902)	FOR 230V/ SOUTH AFRICA
		FOOT CONTROLLER (KD-2902)	FOR 240V / U.K
		FOOT CONTROLLER (KD-2902)	FOR 240V / SAA
34	V61283006	LAMP BRACKET	
35	VG40123000	SHIELD	



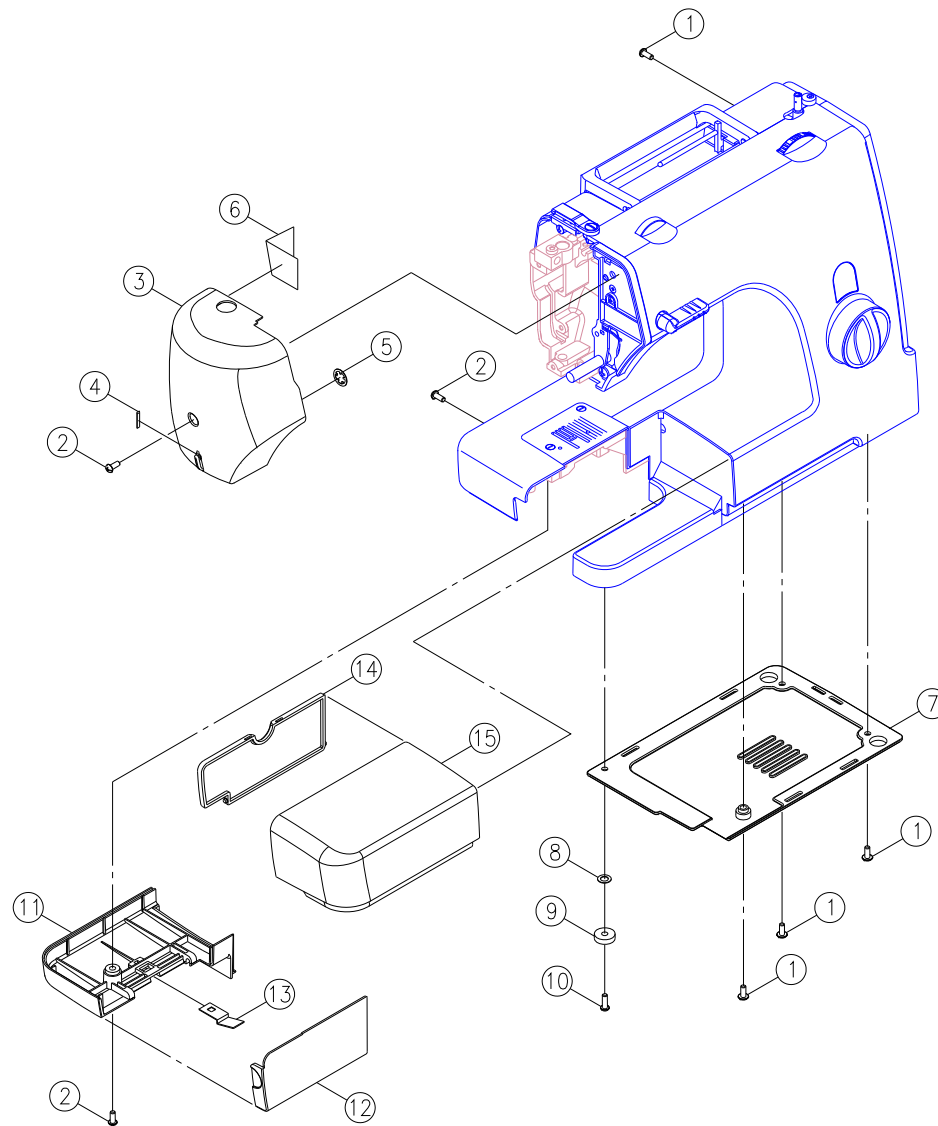
## H. FRONT COVER, BACK COVER



## H. FRONT COVER, BACK COVER

NO.	PART NO.	DESCRIPTION	REMARK
1	V62033006	HANDLE BRACKET COMPLETE	
2	004240106	SET SCREW (M4×8 A)	
3	V880083210	HANDLE	
4	V88C303210	FRONT COVER	
5	V88P043031	PATTERN DISPLAY WINDOW PLATE	
6	V61503210	PLATE (1)	
7	004240526	SET SCREW (M4×12 B)	
8	V88V093210	BACK COVER	
9	E1A2393000	BOBBIN WINDER STOPPER	
10	004106371	SET SCREW (9/64×4×18 B)	(20101207)
11	004706013	NUT (9/64×40 T=3)	
12	V880173001	BOBBIN WINDER THREAD GUIDE ADJUSTING SCREW	
13	V880183001	BOBBIN WINDER SPRING DISC	
14	V880193000	BOBBIN WINDER THREAD GUIDE SPRING	
15	0042301146	WASHER (Φ4.2×8×1)	
16	003010036	E-RING (ETW-3)	
17	V88A023210	BOBBIN WINDER THREAD GUIDE BASE	
18	V880403000	METAL GUIDE BAR	
19	003020043	CS-RING ( CSTW-4 )	
20	004230216	SET SCREW (M3×8.5B)	
21	V880235000	THREAD GUIDE COMPLETE	
22	V610443210	SPOOL PIN	
23	004230646	SET SCREW (M3×16.7 B)	
24	V880353210	BACK COVER PLATE	
25	004240306	SET SCREW (M4×10 B)	

# I. FACE PLATE, BOTTOM PLATE, BED COVER, SEWING TABLE

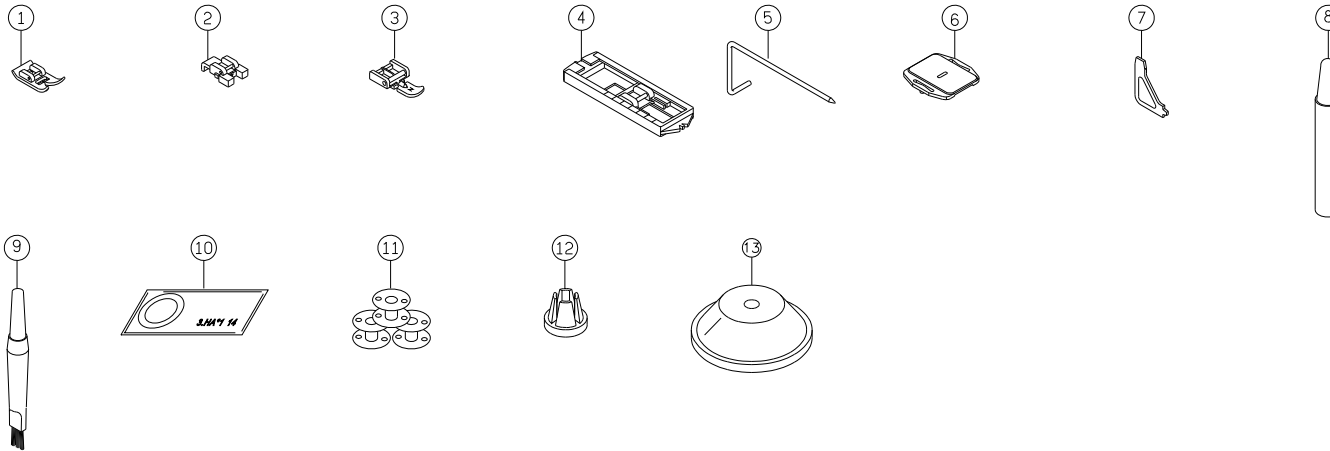


## I. FACE PLATE, BOTTOM PLATE, BED COVER, SEWING TABLE

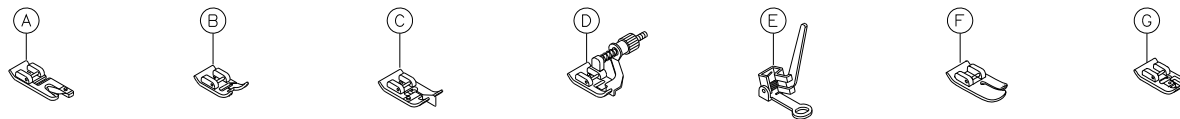
NO.	PART NO.	DESCRIPTION	REMARK
1	004240106	SET SCREW (M4×8 A)	
2	004240046	SET SCREW (M4×10 B)	
3	V880053210	FACE PLATE	
4	V630593000	THREAD CUTTER	
5	003020053	CS-RING (CSTW-5)	
6	V880323000	HEAT RESISTANT PLATE	
7	V880453323	BOTTOM PLATE	(20101231)
8	004300586	WASHER (5.2×16×1.0)	
9	J31413000	FREE ARM BASE CUSHION RUBBER	
10	004240086	SET SCREW (M4×20 B)	(20101231)
11	V880033210	BED COVER	
12	V880043210	HOOK COVER	
13	R12453002	HOOK COVER SPRING	(20090506)
14	V880063210	SEWING TABLE BODY	
15	V880073210	SEWING TABLE BODY COVER	

## J. ACCESSORIES

### STANDARD ACCESSORIES



### OPTIONAL ACCESSORIES



**J. ACCESSORIES**

<b>STANDARD ACCESSORIES</b>			
<b>NO.</b>	<b>PART NO.</b>	<b>DESCRIPTION</b>	<b>REMARK</b>
1	006806008	ZIGZAG PRESSER FOOT COMPLETE (J)	
2	006914008	BUTTON SEW-ON FOOT	
3	006905008	ZIPPER FOOT (I)	
4	006909008	BUTTONHOLE FOOT (B)	
5	006008001	QUILTING BAR	
6	006117009	EMBROIDERY PLATE	
7	006093009	SCREWDRIVER (L)	
8	006013009	OILIER	
9	006099008	BRUSH & SEAM RIPPER COMPLETE	
10	006014148	PACK OF NEEDLE	
11	006084009	BOBBIN	
12	TA10943209	SPOOL SET PLATE (SMALL)	
13	R12373210	SPOOL SET PLATE (BIG)	

<b>OPTIONAL ACCESSORIES</b>			
<b>NO.</b>	<b>PART NO.</b>	<b>DESCRIPTION</b>	<b>REMARK</b>
A	006800008	HEMMER FOOT	
B	006V600001	SATIN STITCH FOOT	
C	006803008	OVERCASTING FOOT (G)	
D	006812008	BLIND HEM FOOT (L)	
E	006016008	EMBROIDERY FOOT	
F	006916008	QUILTING FOOT	
G	006149008	ROLLED HEM FOOT	

**NOTE: WHEN YOU ORDER ANY SPARE PARTS FROM US, PLEASE COOPERATE WITH US BY WRITING.**

- (1) SECTION & SEQUENCE NO.
- (2) NAME OF PARTS
- (3) VOLTAGE, IF NECESSARY
- (4) OTHERS, IF ANY