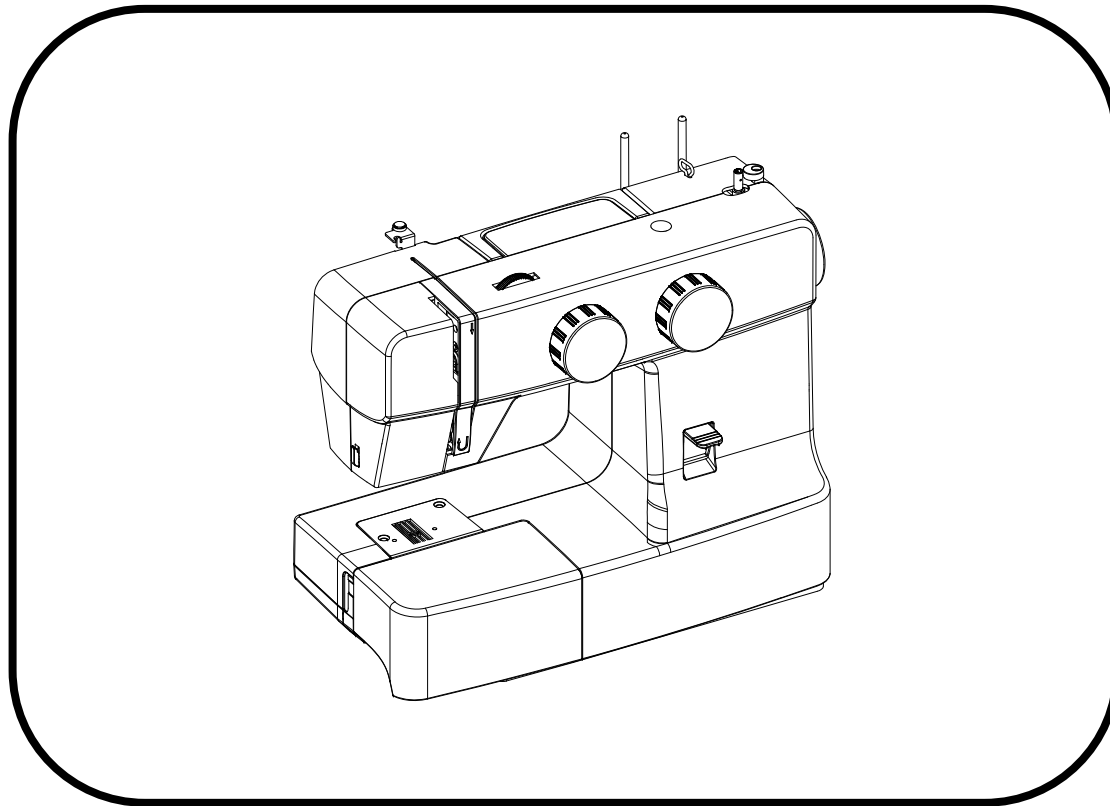


Parts list

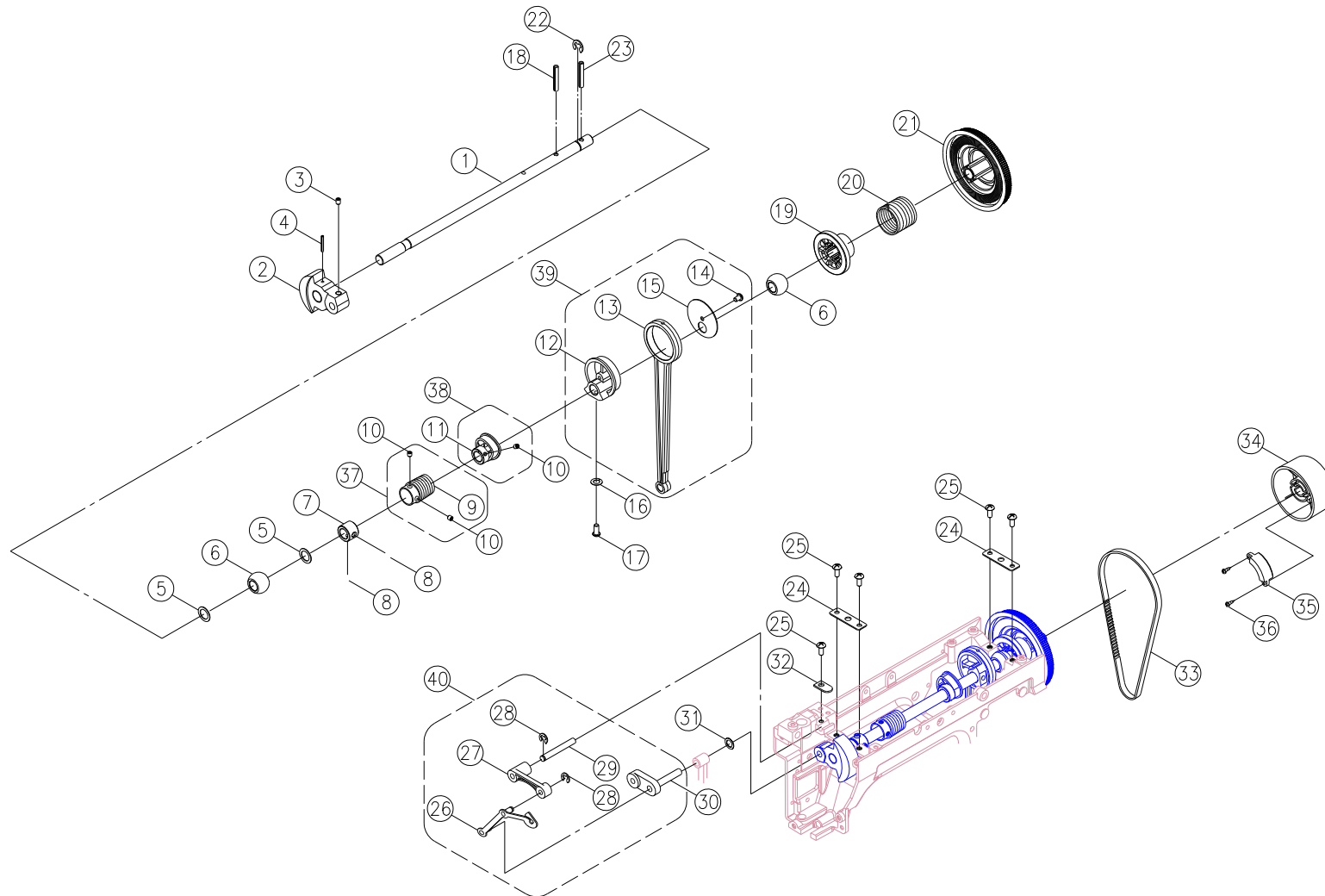


SaitoTM
Model SA 1809

~ **List of contents** ~

A. Arm shaft, Thread take up lever	- 1 -
B. Presser bar, Needle bar supporter	- 3 -
C. Pattern cam contact, Stitch length dial shaft, Feed regulating	- 5 -
D. Dial tension, Bobbin winder	- 7 -
E. Fork rod, Feed rock shaft, Feed lifting rock crank	- 9 -
F. Lower shaft, Shuttle hook.....	- 11 -
G. Motor & Lamp holder	- 13 -
H. Front cover, Back cover	- 15 -
I. Face plate, Bottom plate, Bed cover, Sewing table	- 17 -
J. Accessories	- 19 -

A. Arm shaft, Thread take up lever

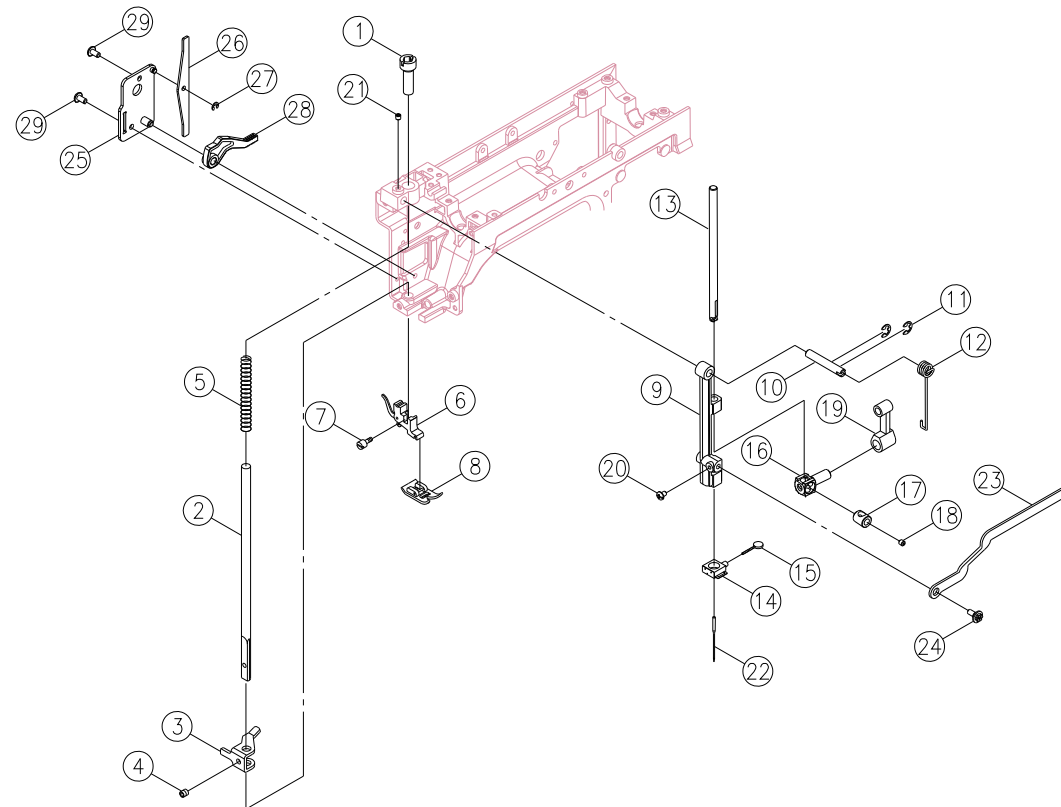


A. Arm shaft, Thread take up lever

No.	Part No.	Description	Remark
1	M1A0033000	Arm shaft	
2	V61473000	Arm shaft balance	
3	004240223	Set screw(M4×6 C)	
4	003043524	Arm shaft balance pin (φ3.5×24)	
5	004400080	Endure attrition washer (10.2×15×0.5)	
6	R10293000	Arm shaft busing	
7	M1A0573003	Arm shaft collar	
8	004240033	Set screw(M4×5 C)	
9	M1A0053000	Arm shaft worm	
10	004240503	Set screw(M4×4 C)	
11	G4A0533000	Feed cam	
12	V60053000	Crank connecting rod cam	
13	V60063000	Crank connecting rod	
14	004240056	Set screw (M4×6 B)	
15	V60073003	Crank connecting rod cover	
16	004600026	Washer(4.2×7.2×1.2)	
17	004107063	Set screw(11/64×40×12)	
18	003043028	Spring pin(φ3×28)	
19	D5A0583000	Arm shaft collar	
20	D5A0573003	Arm shaft clutch annulus spring	
21	M1A0063000	Arm shaft driver belt pulley	
22	003010083	E-Ring (ETW-8)	
23	003043030	Spring pin(φ3×30)	
24	V60113003	Arm shaft bushing holder plate	
25	004240106	Set screw(M4×8 A)	
26	E1A2513001	Thread take up lever	
27	V10523000	Thread take up lever supporter	
28	003010043	E-Ring (ETW-4)	
29	V60223003	Thread take up lever supporter shaft	
30	V10543000	Arm shaft balance pin	
31	0044000020	Endure attrition washer (6.2×12×0.25)	
32	H13093003	Set washer	

No.	Part No.	Description	Remark
33	00750002M5	Motor drive belt (250×500×5)	
34	M1A0513210	Hand wheel	
35	V61893000	Hand wheel balance lump	
36	004230216	Set screw (M3×8.5)	
37	M1A0045000	Arm shaft worm complete	
38	G4A0535000	Feed cam complete	
39	V60044000	Crank connecting rod complete	
40	E1A2534000	Thread take up lever complete	

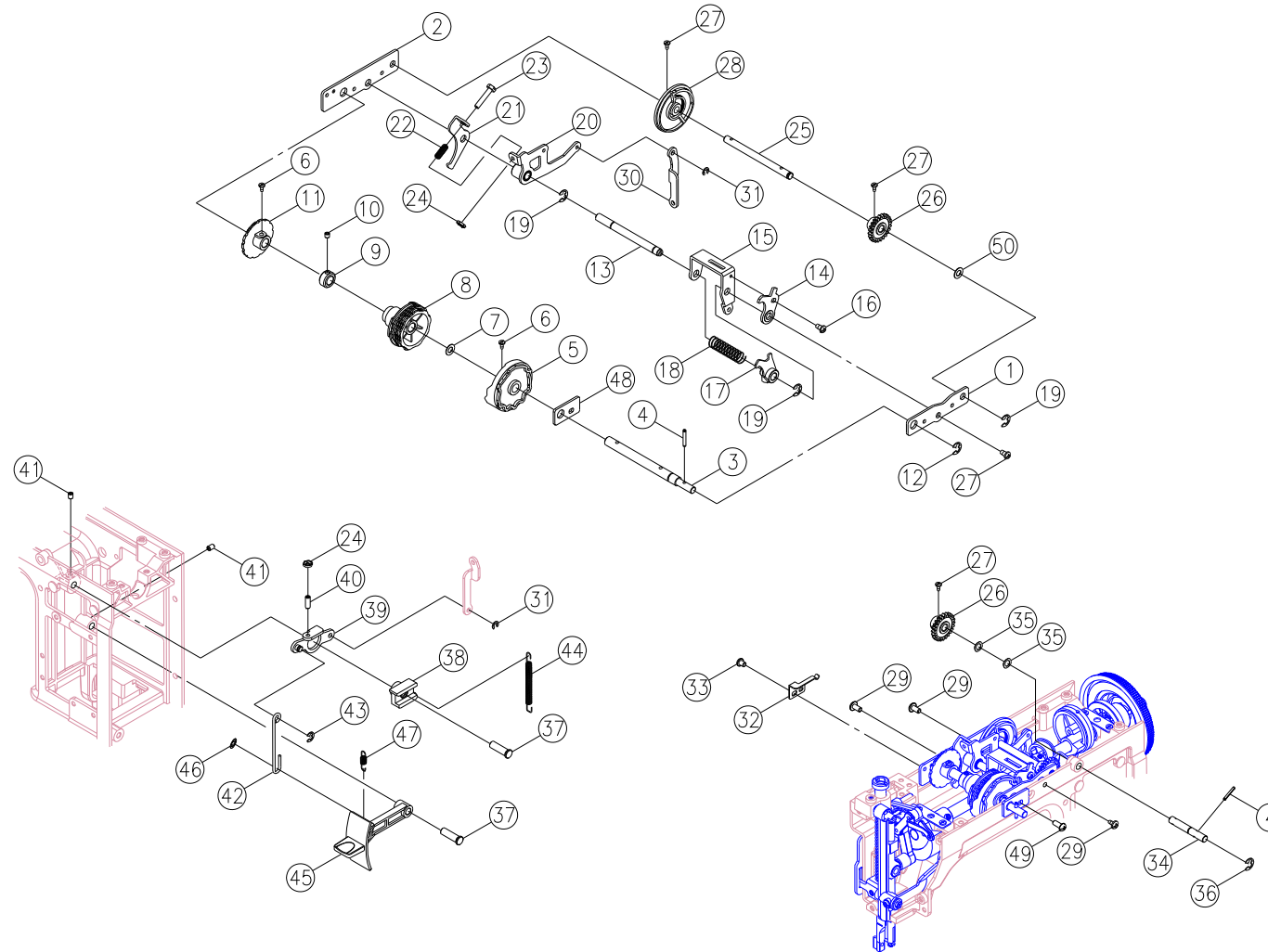
B. Presser bar, Needle bar supporter



B. Presser bar, Needle bar supporter

No.	Part No.	Description	Remark
1	Z11993211	Presser bar regulating screw	
2	V70153002	Presser bar	
3	H1A0093003	Presser bar bracket	
4	004240223	Set screw(M4×6 C)	
5	E1A2493003	Presser bar spring	
6	006187008	Shank complete	
7	004106221	Shank screw (9/64×40×7)	
8	006806008	Zigzag presser foot complete (J)	
9	V61973002	Needle bar supporter	
10	H10293000	Needle bar supporter pin	
11	003010053	E-Ring (ETW-5)	
12	H10273003	Needle bar supporter spring	
13	V70273000	Needle bar	
14	TA11033002	Needle clamp	
15	G10176002	Needle clamp screw	
16	H10253000	Needle bar bracket (1)	
17	H10263000	Needle bar bracket (2)	
18	004240503	Set screw(M4×4 C)	
19	V60193000	Needle bar crank rod	
20	004106202	Set screw(9/64×40×7A)	
21	004240033	Set screw(M4×5 C)	
22	006046148	Needle	
23	M1A0303003	Needle bar driving rod	
24	V6E0413000	Needle bar driving rod pin	
25	H1A0053003	Clamp plate	
26	H1A0063003	Tension lever lifter	
27	003010036	E-Ring (ETW-3)	
28	H1A0073000	Presser bar lifter lever	
29	004240106	Set screw (M4×8 A)	

C. Pattern cam contact, Stitch length dial shaft, Feed regulating

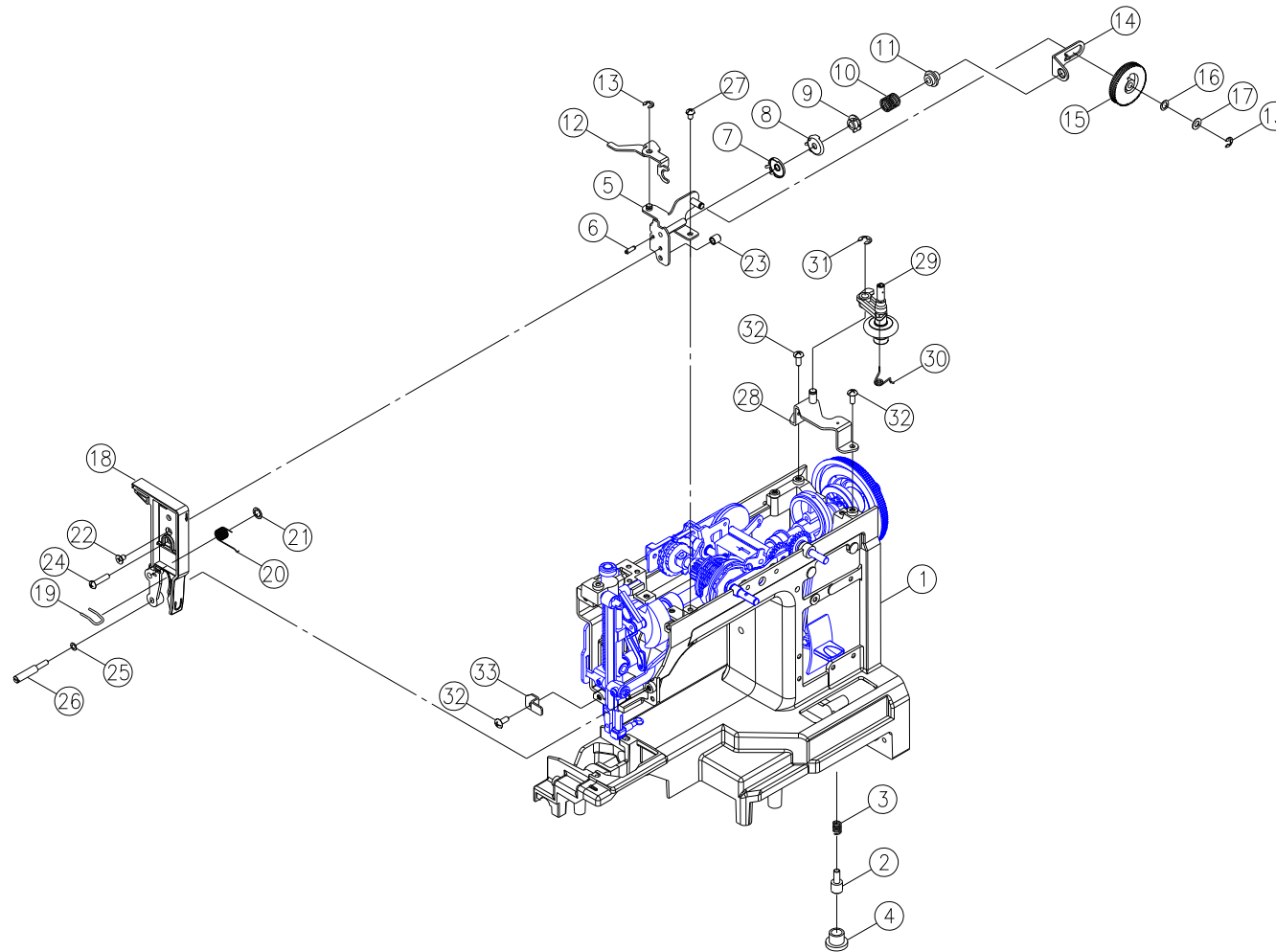


C. Pattern cam contact, Stitch length dial shaft, Feed regulating

No.	Part No.	Description	Remark
1	M2A0033003	Pattern cam contact plate (front)	
2	M2A0043003	Pattern cam contact plate (back)	
3	M2A0053003	Pattern selector cam shaft	
4	003042516	Spring pin (ϕ 2.5×16)	
5	M2A0063000	Pattern selector cam	
6	004235016	Set screw (M3.5×8A)	
7	004300936	Washer (ϕ 8.2× ϕ 12×0.5)	
8	M1A0213000	Pattern cam	
9	H11943003	Pattern cam shaft collar	
10	004240503	Set screw (M4×4 C)	
11	M2A0073000	BH pattern selector cam	
12	003010063	E-Ring (ETW-6)	
13	M2A0083000	Contact supporter shaft	
14	M1A0273003	Zigzag release plate	
15	M1A0243003	Zigzag cam contact supporter	
16	0042350056	Set screw (M3.5×5A)	
17	M1A0263003	Zigzag cam contact	
18	K6A0373003	Zigzag cam contact spring	
19	003010056	E-Ring (ETW-5)	
20	M2A0093003	Feed crank	
21	M2A0113003	BH regulator plate	
22	V60813003	BH spring	
23	004240706	Set screw (M4×20)	
24	004840106	Nut (ALN-4)	
25	M2A0123003	Feed regulator cam shaft	
26	M2A0143000	Feed regulator gear	
27	004230211	Set screw (M3×8 A)	
28	M2A0133000	Feed regulator cam	
29	004240106	Set screw (M4×8 A)	
30	M1A0323003	Feed rod	
31	003010036	E-Ring (ETW-3)	
32	M2A0163003	Pattern fix spring plate	

No.	Part No.	Description	Remark
33	004240676	Set screw (M4×5 B)	
34	M2A0153003	Stitch length dial shaft	
35	004500600	Washer (ϕ 6.5× ϕ 10.5×1.5×0.15)	
36	003010053	E-Ring (ETW-5)	
37	V60443000	Feed regulating shaft	
38	M1A0123000	Feed regulating	
39	M1A0135000	Feed regulating plate complete	
40	004240633	Set screw (M4×12)	
41	004240223	Set screw(M4×6 C)	
42	M1A0153003	Reverse rod	
43	003010046	E-Ring (ETW-4)	
44	V70063003	Feed regulating spring	
45	M1A0503210	Reverse lever button	
46	003020043	CS-Ring (CSTW-4)	
47	M70093000	Auto threader lever spring	
48	M1A0433003	Pattern selector cam shaft plate	
49	004240046	Set screw(M4×6 C)	
50	004900063	Washer (ϕ 6.2× ϕ 12×2.0×0.15)	

D. Dial tension, Bobbin winder

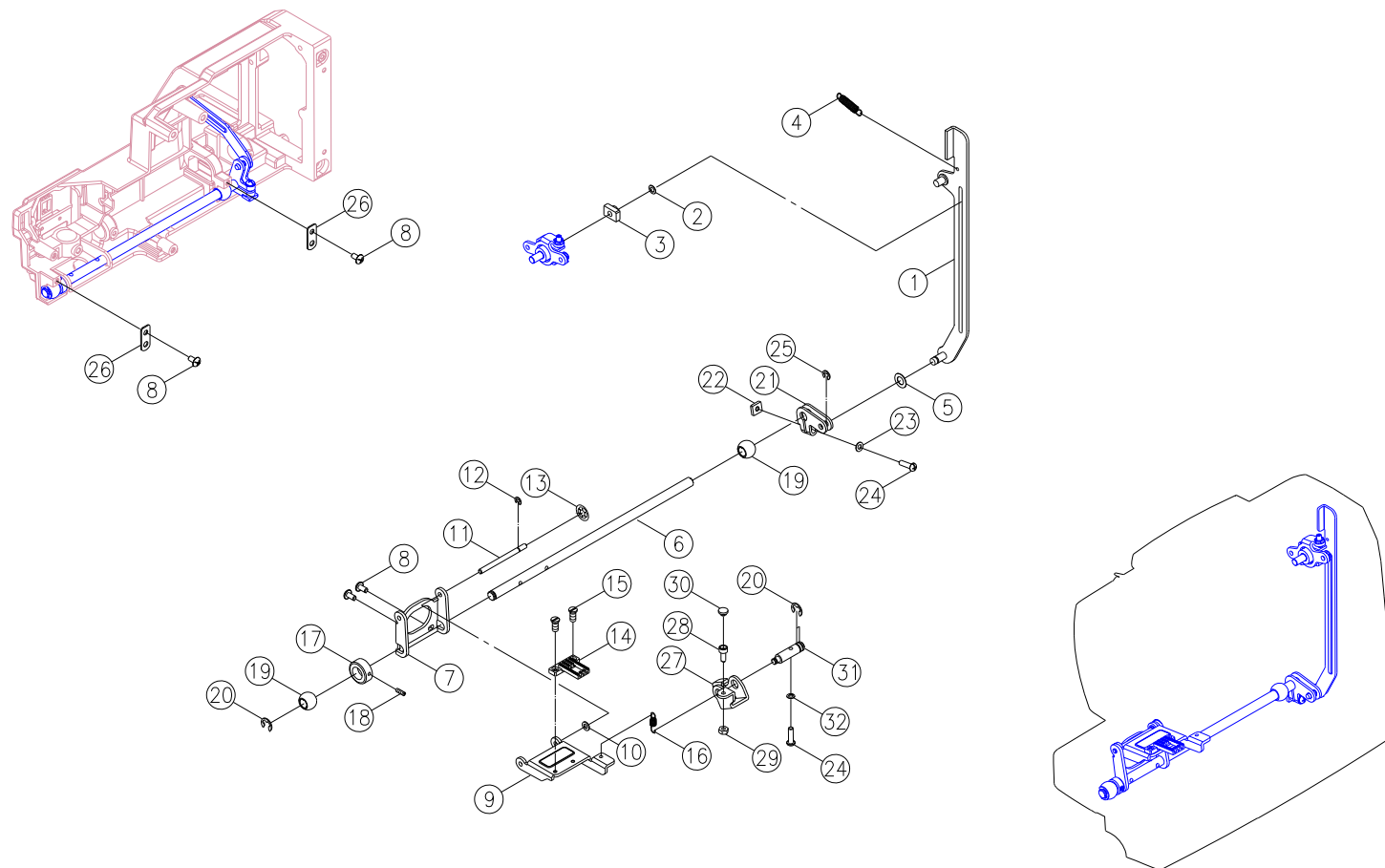


D. Dial tension, Bobbin winder

No.	Part No.	Description	Remark
1	M1A0013000	Arm	
2	K82133006	Base plate adjustment screw	
3	K82073003	Base plate adjustment screw spring	
4	E1A2503000	Adjustment free arm base cushion rubber	
5	K6A0093002	Dial tension supporter plate	
6	003043010	Spring pin ($\phi 3 \times 10$)	
7	J30423001	Dial tension disc (1)	
8	E1A2333001	Dial tension disc	
9	R10593000	Dial tension spring regulator	
10	NB1083000	Dial tension spring	
11	K50193000	Dial tension regulator	
12	H1A1383003	Dial tension waft plate	
13	003010043	E-Ring (ETW -4)	
14	V60273006	Dial tension spring plate	
15	K5BD013210	Dial tension knob	
16	004500360	Washer (WW-5)	
17	004300643	Washer (5.2×10×0.5)	
18	M1B0043185	Dial tension supporter plate cover	
19	P3A1353001	Thread guide	
20	V60303000	Thread guide spring	
21	003020053	CS-Ring (CSTW-5)	
22	004240176	Set screw (M4×6D)	
23	H11103001	Dial tension guide spring tube	
24	004240746	Set screw (M4×18B)	
25	004300136	Washer (4.2×8×0.8)	
26	004240982	Set screw (M4×14 L=37)	
27	004240056	Set screw (M4×6B)	
28	M1A0345000	Bobbin winder frame complete	
29	M1A0365000	Bobbin winder crank complete	
30	K6A0573003	Bobbin winder crank spring	
31	003010053	E-Ring (ETW-5)	
32	004240106	Set screw (M4×8 A)	

No.	Part No.	Description	Remark
33	M1A0583006	Needle bar stop plate	

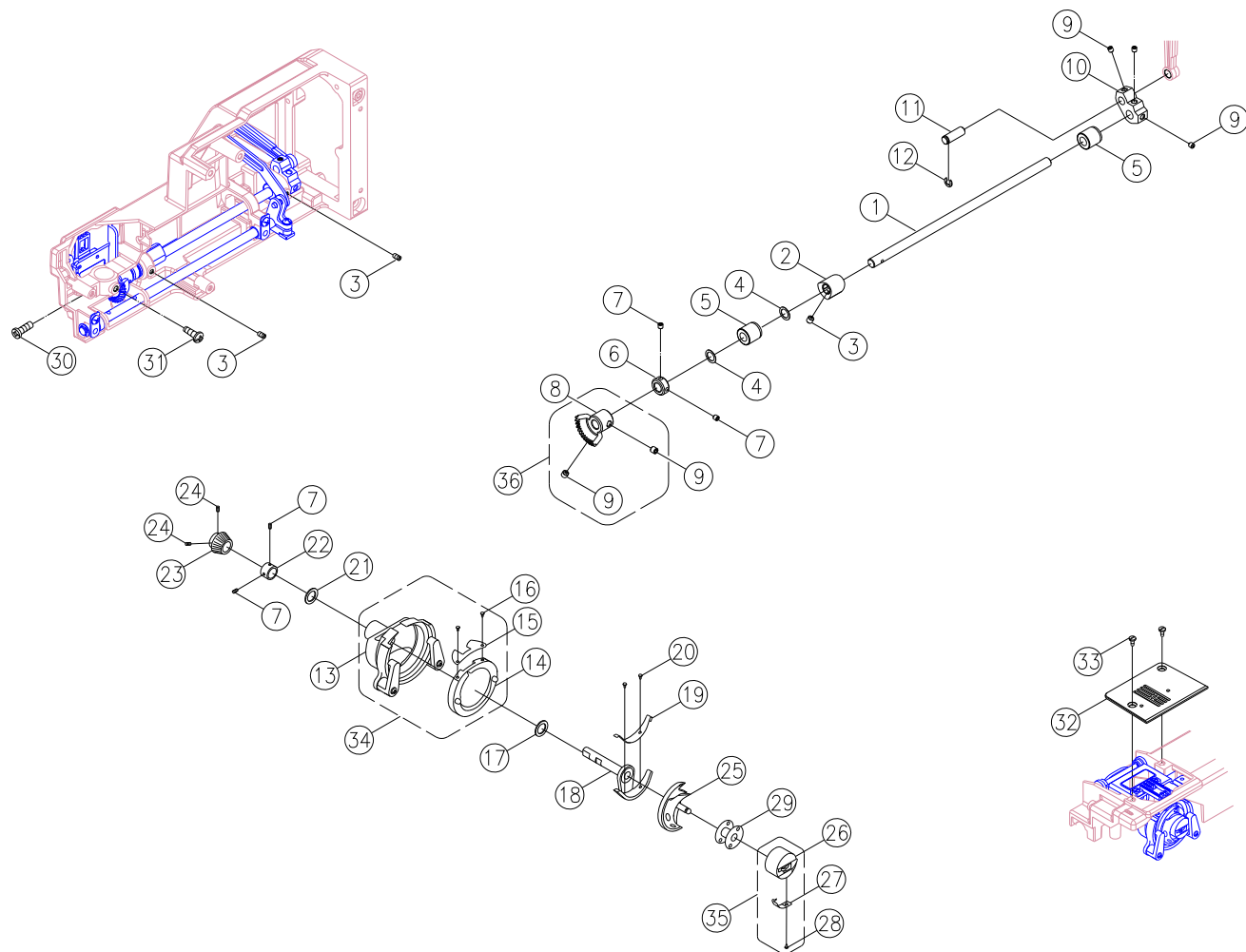
E. Fork rod, Feed rock shaft, Feed lifting rock crank



E. Fork rod, Feed rock shaft, Feed lifting rock crank

No.	Part No.	Description	Remark
1	V60453003	Fork rod	
2	004400180	Endure attrition washer (5.7×10.2×0.5)	
3	V11533000	Feed regulating block	
4	M1A0313000	Fork rod spring	
5	004400450	Endure attrition washer (5.5×12×0.25)	
6	M1A0103000	Feed rock shaft	
7	V60493003	Feed rock frame	
8	004240106	Set screw (M4×8 A)	
9	V60503003	Feed dog frame	
10	004300136	Washer (4.2×8×0.8)	
11	V60513003	Feed dog frame shaft	
12	003010036	E-Ring (ETW-3)	
13	003090043	Nut (SPN-4)	
14	V620053000	Feed dog	
15	004230056	Set screw (M3×5 B)	
16	V60533003	Feed dog frame spring	
17	H11943003	Pattern cam shaft collar	
18	004240503	Set screw (M4×4 C)	
19	V60343000	Feed rock bushing	
20	003010063	E-Ring (ETW-6)	
21	V60553003	Feed rock crank	
22	004840073	Feed rock crank Nut (M4)	
23	004300093	Washer (4×8×0.5)	
24	004240146	Set screw (M4×15 B)	
25	003010043	E-Ring (ETW-4)	
26	V60563003	Bushing holder plate	
27	V60583003	Feed lifting rock crank	
28	004250323	Sew screw	
29	004840022	Nut (M4 t=3)	
30	K81243000	Sew screw knob	
31	V60593003	Feed lifting rock shaft	
32	004600026	Washer (4.2×7.2×1.2)	

F. Lower shaft, Shuttle hook

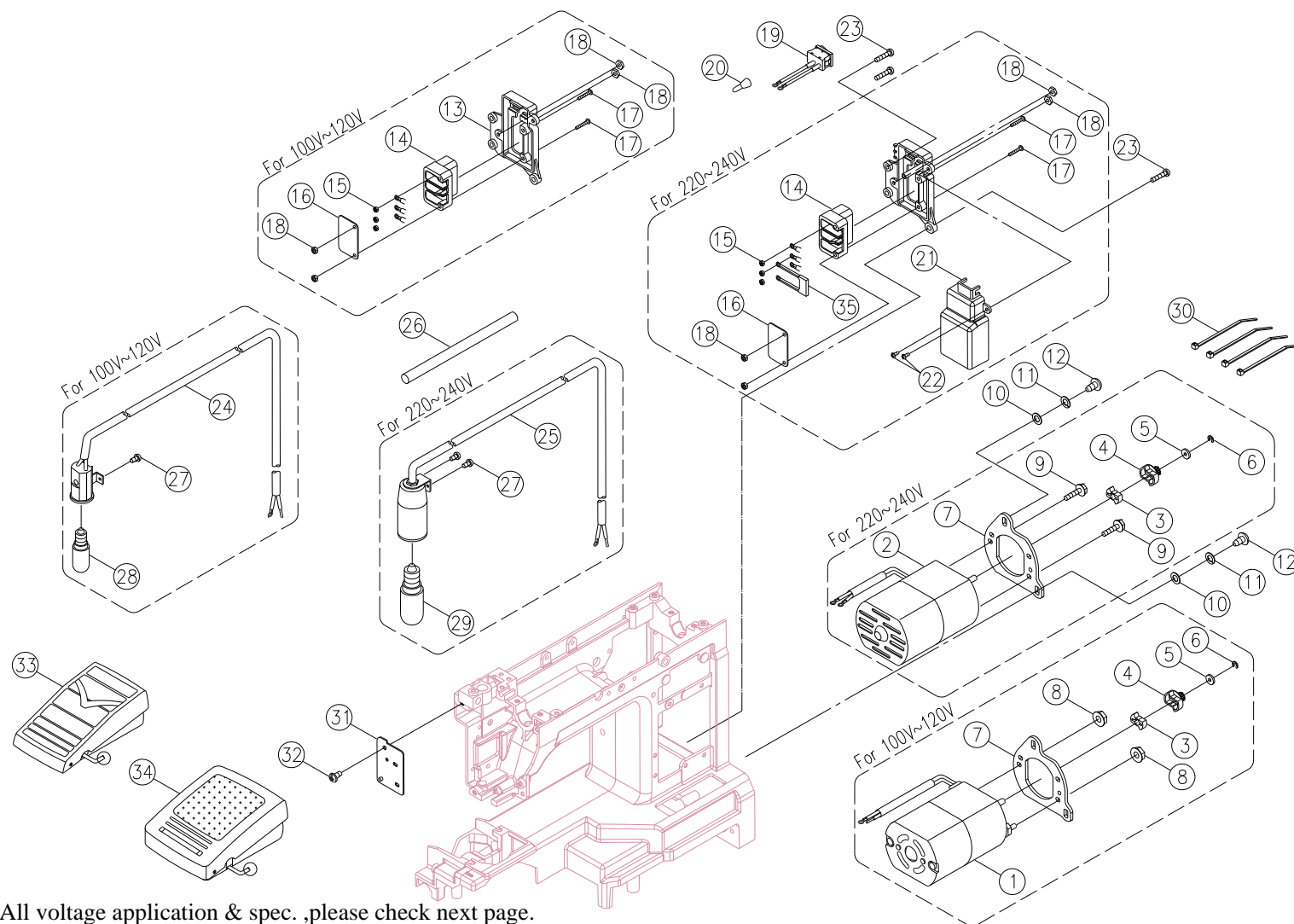


F. Lower shaft, Shuttle hook

No.	Part No.	Description	Remark
1	M1A0083000	Lower shaft	
2	V6E1123000	Feed lifting rock cam	
3	004240223	Set screw (M4x6C)	
4	004400410	Endure attrition washer (8.2x12x0.25)	
5	E1A0283000	Feed rock bushing	
6	G2D0313003	Lower shaft collar	
7	004240503	Set screw (M4x4C)	
8	G4A1573000	Lower shaft gear	
9	004250203	Set screw (M5x5C)	
10	V60363000	Crank connecting rod crank	
11	V10833003	Crank connecting rod crank pin	
12	003010053	E-Ring (ETW-5)	
13	V11003002	Open shuttle race	
14	V11573001	Shuttle hook holder	
15	V11583002	Shuttle hook holder spring	
16	H71093003	Shuttle hook holder spring screw	
17	004400800	Endure attrition washer (7.6x12x0.13)	
18	K81123002	Shuttle driver	
19	K81143003	Shuttle driver spring	
20	004103043	Shuttle driver spring screw	
21	004400210	Endure attrition washer (8.2x16x0.5)	
22	G2D0323003	Shuttle driver shaft collar	
23	G4A1583000	Shuttle driver shaft gear	
24	004107293	Set screw(11/64x40x4)	
25	V62043000	Shuttle hook	
26	H71186001	Bobbin case	
27	H13803001	Bobbin case spring	
28	H13973002	Bobbin case spring set screw	
29	006084009	Bobbin	
30	004240046	Set screw (M4x10B)	
31	004250151	Set screw (M5x10B)	
32	V620033001	Needle plate	

No.	Part No.	Description	Remark
33	004240851	Needle plate complete set screw	
34	V10995000	Open shuttle race complete	
35	H71185000	Bobbin case complete	
36	G4A1574000	Lower shaft gear complete	

G. Motor & Lamp holder

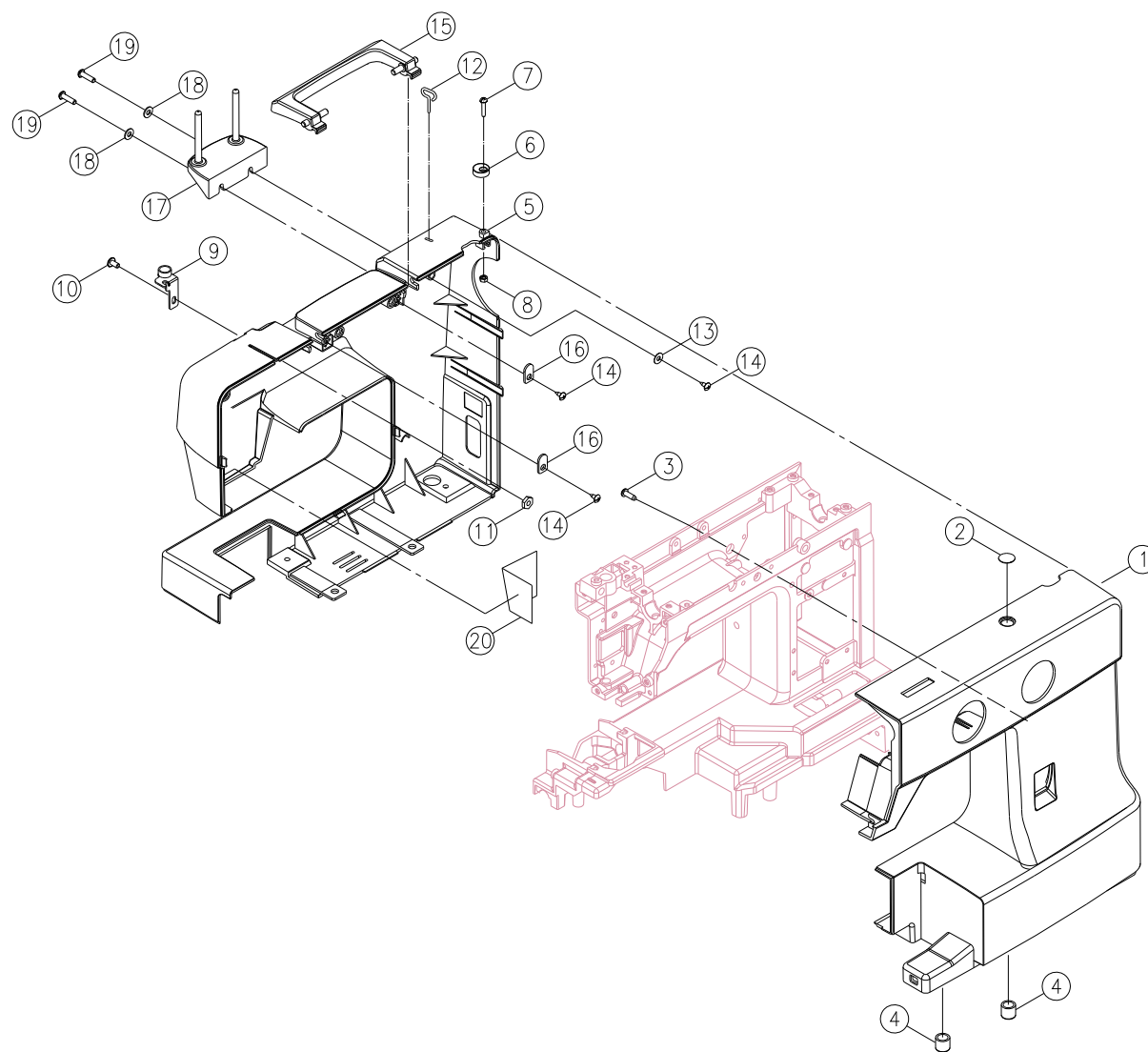


G. Motor & Lamp holder

No.	Part No.	Description	Remark
1		Motor	for 100V /Japan
		Motor	for 120V /US.
2		Motor	for 220V /Korea
		Motor (HF-07250)	for 230V /Saudi Arabia
	001N7A1002	Motor	for 230V /EU.
		Motor (HF-07250)	for 230V /Dubai
		Motor (HF-07250)	for 240V /U.K
		Motor (HF-07250)	for 240V /SAA
3	008059302	Cushion rubber	
4	Q6A0423000	Belt wheel	
5	002145029	Motor feed regulator collar	
6	003010036	E-Ring (ETW-3)	
7	K6A0983006	Motor bracket	
8		Nut (M4 t=5.5)	for 100V~120V
9	004241428	Set screw (M4×10.2)	for 220V-240V
10	004300306	Washer (5.4×10×0.9)	
11	004600296	Spring washer (5.2×9×1)	
12	004250086	Set screw (M5×12)	
13		Receptacle holder	for 100V~120V
	M1A0563210	Receptacle holder	for 220V~240V
14	002624129	Receptacle	
15	004840120	Nut (M3×4)	
16	002621129	Concert insulation plate	
17	004230865	Set screw (M3×20)	
18	004830016	Nut (M3 t=2.3)	
19	008M1A0001	Switch ass' y	
20	AA0463000	End termed	
21	M1A0533210	Receptacle holder cover	for 220V-240V
22	004230016	Set screw (M3×6B)	for 220V-240V(20110422)
23	004240146	Set screw (M4×15)	
24		Lamp holder complete	for 100V~120V
25	002K6B1001	Lamp holder complete	for 220V-240V

No.	Part No.	Description	Remark
26	002486000	Spaghetti	
27	004230056	Set screw (M3×5 B)	
28		Lamp (10W)	for 120V
29		Lamp (15W)	for 220V
	005240011	Lamp (15W E-12)	for 240V
30	002027129	Cord clip	
31	M1A0393006	Lamp bracket	
32	004240056	Set screw (M4×6B)	
33		Foot controller (KD-1902)	for 100V/Japan
		Foot controller (FC-1902)	for 120V /US
34		Foot controller (FC-2902C)	for 220V /Korea(20100908)
		Foot controller (FC-2902C)	for 230V /EU. (20100908)
		Foot controller (FC-2902C)	for 230V /China(20100908)
		Foot controller (FC-2902C)	for 230V /Dubai
	002Q6D1006	Foot controller (FC-2902C)	for 230V /South Africa
		Foot controller (FC-2902C)	for 240V / U.K(20100908)
		Foot controller (FC-2902C)	for 240V / SAA(20100908)
35		Condenser	for 100V
	002441000	Condenser	for 220V~240V

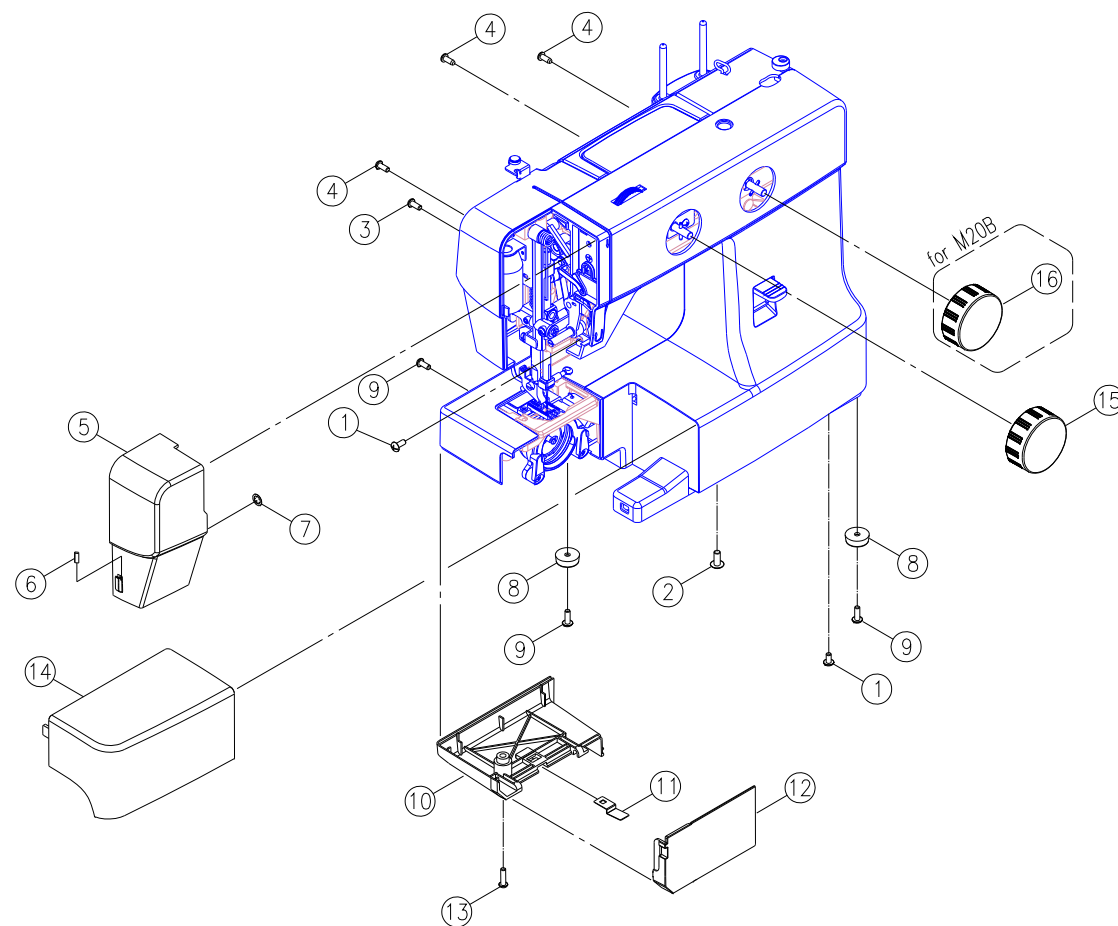
H. Front cover, Back cover



H. Front cover, Back cover

No.	Part No.	Description	Remark
1	M2BC053210	Front cover	
2	V61503210	Plate (1)	
3	004240526	Set screw (M4×12 B)	
4	H70043002	Free arm base cushion rubber	
5	M1BB013210	Back cover	
6	K6B0393000	Bobbin winder stopper	
7	004106162	Set screw (9/64×40×16 B)	
8	004706013	Nut (9/64×40 t=3)	
9	V61325000	Bobbin winder thread guide complete	
10	004240046	Set screw (M4×10 B)	
11	004840022	Nut (6.8×7.8×3 M4×0.7)	
12	M1B0123001	Guide spring	
13	0043000016	Washer (φ4×φ10×0.4)	
14	004230216	Set screw (M3×8.5)	
15	M1B0083210	Handle	
16	H13093003	Set washer	
17	G4E0053210	Spool pin plate	
18	004300136	Washer (φ4.2×φ8×0.8)	
19	004240086	Set screw (M4×20 B)	
20	M1B0133000	Heat resistant plate	

I. Face plate, Bottom plate, Bed cover, Sewing table

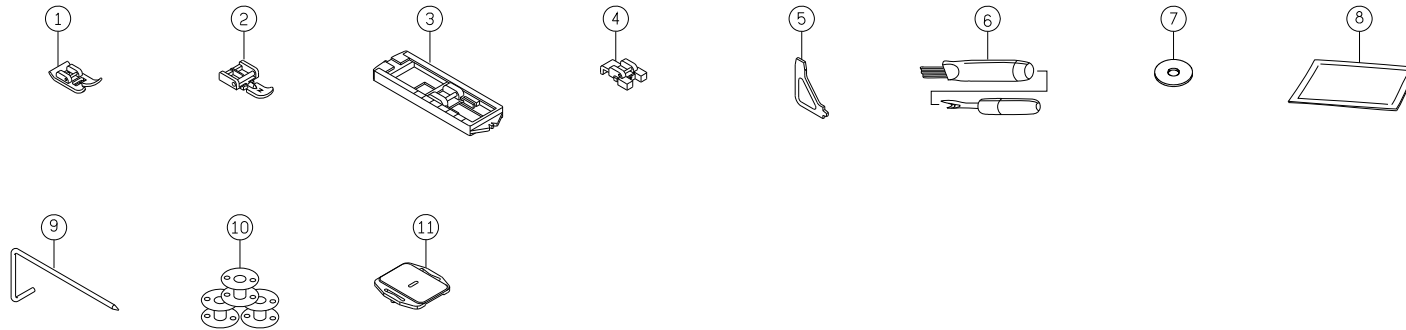


I. Face plate, Bottom plate, Bed cover, Sewing table

No.	Part No.	Description	Remark
1	004240106	Set screw (M4×8 A)	
2	004250151	Set screw (M5×10 B)	
3	004240046	Set screw (M4×10 B)	
4	004240306	Set screw (M4×10 B)	
5	M2BF033210	Face plate	
6	V630593000	Thread cutter	
7	003020053	CS-Ring (CSTW-5)	
8	F31103000	Free arm base cushion rubber	
9	004240136	Set screw (M4×12 B)	
10	M1B0113210	Bed cover	
11	R1A2303002	Hook cover spring	
12	M1B0063210	Hook cover	
13	004240146	Set screw (M4×15 B)	
14	M1B0073210	Sewing table body	
15	M2BD083210	Pattern selector dial	
16	M2BR043210	Stitch length dial	

J. Accessories

Standard accessories



Optional accessories



J. Accessories

Standard accessories			
No.	Part No.	Description	Remark
1	006806008	All purpose foot	
2	006905008	Zipper foot (I)	
3	006909008	Buttonhole foot (B)	
4	006914008	Button sewing foot	
5	006093009	L-screwdriver	
6	006099008	Seam ripper/ Brush	
7	006015009	Spool pin felt	
8	006014148	Pack of needle	
9	006008001	Seam guide	
10	006084009	Bobbin	
11	006117009	Felt pad	

Optional accessories			
No.	Part No.	Description	Remark
1	006800008	Hemmer foot	
2	006804008	Satin stitch foot	
3	006803008	Overcastting foot (G)	
4	006812008	Blind hem foot (L)	
5	006016008	Darning/ Embroidery foot	
6	006916008	Quilting foot	

NOTE: When you order any spare parts from us, please cooperate with us by writing.

- (1) Section & Sequence No.
- (2) Name of parts
- (3) Voltage, if necessary
- (4) Others, if any