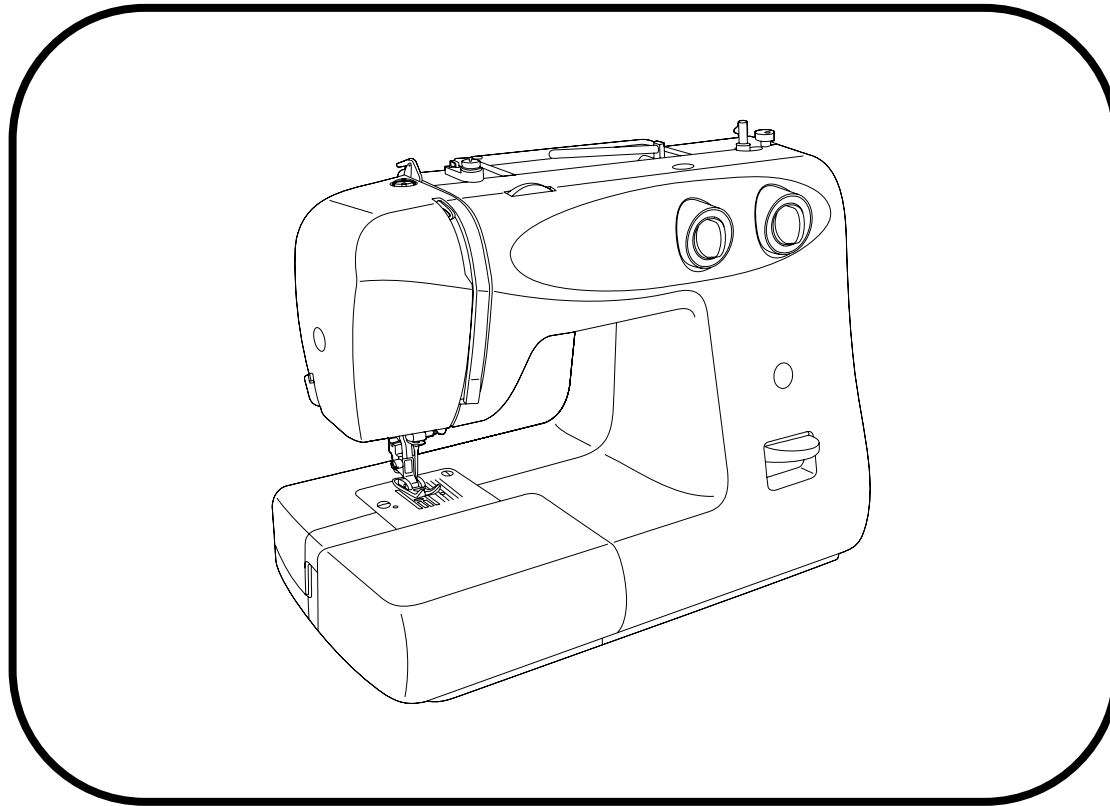


PARTS LIST

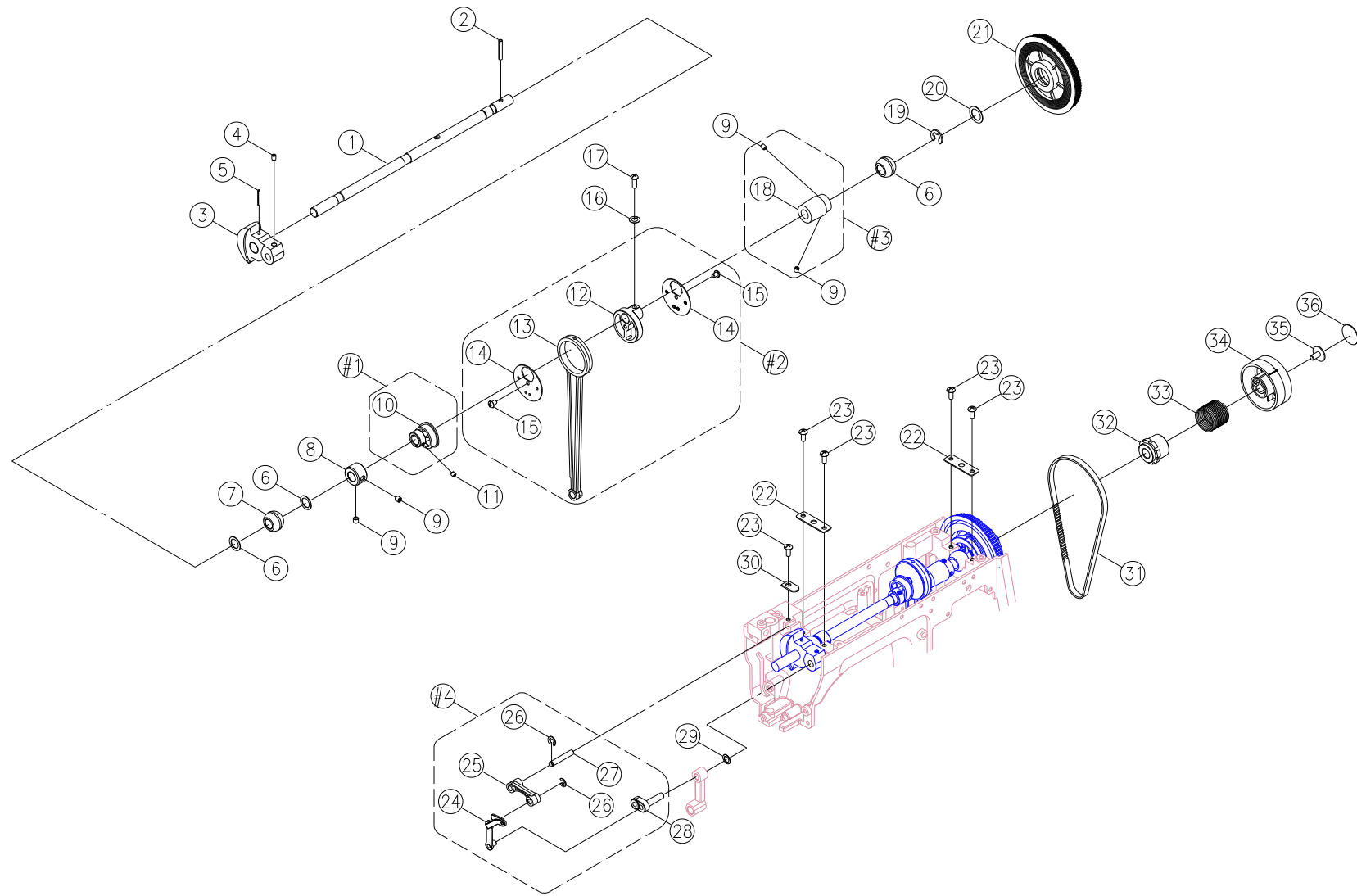


Saito™
MODEL SA 1832

~ LIST OF CONTENTS ~

A. ARM SHAFT, THREAD TAKE UP LEVER.....	- 1 -
B. PATTERN CAM CONTACT, SELECTOR DIAL, REVERSE PLATE	- 3 -
C. PRESSER BAR, NEEDLE BAR SUPPORTER, ZIGZAG REGULATOR.....	- 5 -
D. DIAL TENSION, BOBBIN WINDER, CLUTCH ROD, ZIGZAG WIDTH DIAL	- 7 -
E. FEED REGULATING, FORK ROD, FEED ROCK SHAFT, FEED LIFTING ROCK CRANK.....	- 9 -
F. LOWER SHAFT, SHUTTLE HOOK.....	- 11 -
G. MOTOR & LAMP HOLDER	- 13 -
H. FRONT COVER, BACK COVER.....	- 15 -
I. FACE PLATE, BOTTOM PLATE, BED COVER, SEWING TABLE.....	- 17 -
J. ACCESSORIES.....	- 19 -

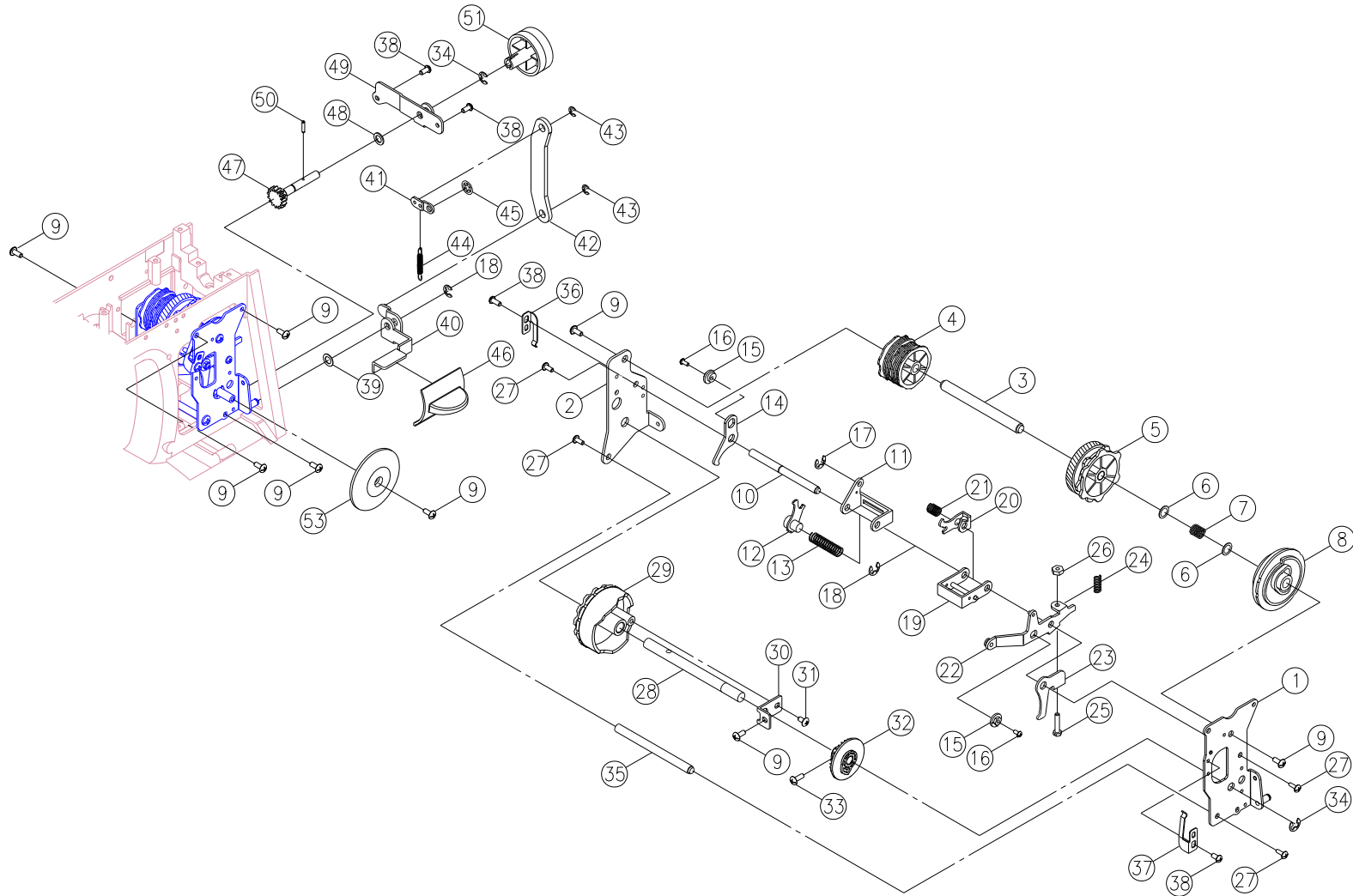
A. ARM SHAFT, THREAD TAKE UP LEVER



A. ARM SHAFT, THREAD TAKE UP LEVER

NO.	PART NO.	DESCRIPTION	REMARK
1	V60033000	ARM SHAFT	
2	003043018	SPRING PIN(ϕ 3 \times 18)	
3	V61473000	ARM SHAFT BALANCE	
4	004240223	SET SCREW(M4 \times 6 C)	
5	003043524	ARM SHAFT BALANCE PIN (ϕ 3.5 \times 24)	
6	004400080	ENDURE ATTRITION WASHER (10.2 \times 15 \times 0.5)	
7	R10293000	ARM SHAFT BUSING	
8	M1A0623003	ARM SHAFT COLLAR	
9	004240033	SET SCREW(M4 \times 5 C)	
10	G4A0533000	FEED CAM	
11	004240503	SET SCREW(M4 \times 4 C)	
12	V880603003	CRANK CONNECTING ROD CAM	
13	V880213000	CRANK CONNECTING ROD	
14	V880613003	CRANK CONNECTING ROD COVER	
15	004240012	SET SCREW (M4 \times 4 B)	
16	004600026	WASHER(4.2 \times 7.2 \times 1.2)	
17	004107063	SET SCREW(11/64 \times 40 \times 12)	
18	V880423000	ARM SHAFT WORM	
19	003010093	E-RING (ETW-9)	
20	004300853	WASHER(10.2 \times 15 \times 0.5)	
21	E4A0143210	ARM SHAFT DRIVER BELT PULLEY	
22	V60113003	ARM SHAFT BUSHING HOLDER PLATE	
23	004240106	SET SCREW(M4 \times 8 A)	
24	E1A2513001	THREAD TAKE UP LEVER	
25	V10523000	THREAD TAKE UP LEVER SUPPORTER	
26	003010043	E-RING (ETW-4)	
27	V60223003	THREAD TAKE UP LEVER SUPPORTER SHAFT	
28	V10543000	ARM SHAFT BALANCE PIN	
29	H13093003	SET WASHER	
30	007156XXL5	MOTOR DRIVE BELT (156XXL)	
31	R10403000	ARM SHAFT COLLAR	
32	R10393000	ARM SHAFT CLUTCH ANNULUS SPRING	

NO.	PART NO.	DESCRIPTION	REMARK
33	V10183210	HAND WHEEL	
34	0042500016	SET SCREW (M5 \times 10)	
35	V16893210	HAND WHEEL DECORATED PLATE	
#1	G4A0535000	FEED CAM COMPLETE	
#2	V880214000	CRANK CONNECTING ROD COMPLETE	
#3	V880424000	ARM SHAFT WORM COMPLETE	
#4	E1A2534000	THREAD TAKE UP LEVER COMPLETE	

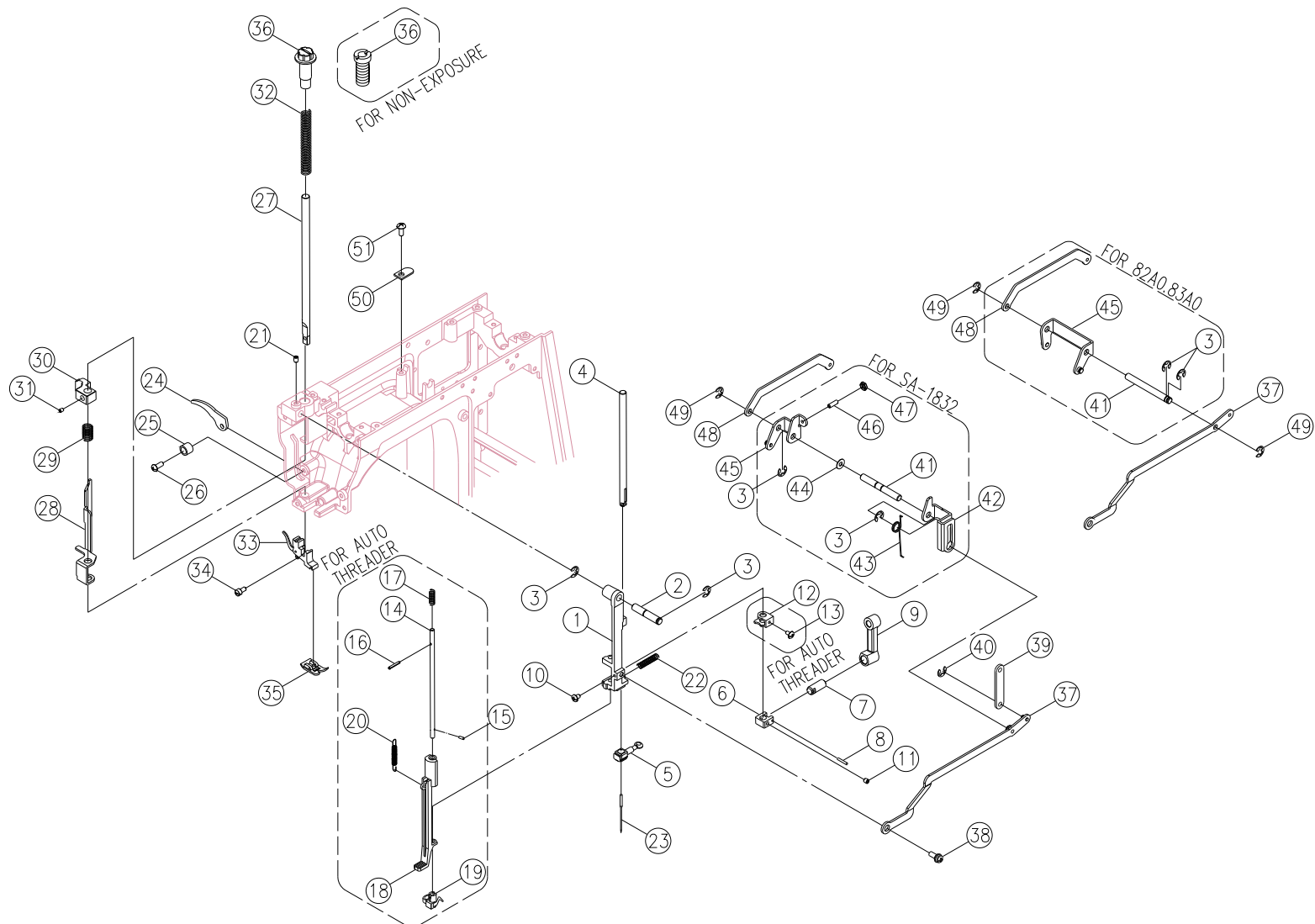
B. PATTERN CAM CONTACT, SELECTOR DIAL, REVERSE PLATE

B. PATTERN CAM CONTACT, SELECTOR DIAL, REVERSE PLATE

NO.	PART NO.	DESCRIPTION	REMARK
1	V60613008	PATTERN CAM CONTACT PLATE (FRONT)	
2	V60633008	PATTERN CAM CONTACT PLATE (BACK)	
3	V60643003	PATTERN CAM SHAFT	
4	VG0053000	PATTERN CAM	
5	V60663000	SS CAM	
6	004300823	WASHER (8.2×12×0.25)	
7	V60673003	PATTERN CAM SHAFT SPRING	
8	V60683000	FEED REGULATOR CAM	
9	004240106	SET SCREW (M4×8 A)	
10	V60693000	ZIGZAG CAM CONTACT SUPPORTER SHAFT	
11	V60703008	ZIGZAG CAM CONTACT SUPPORTER	
12	V60713003	ZIGZAG CAM CONTACT	
13	V10693003	ZIGZAG CAM CONTACT SPRING	
14	V60723003	ZIGZAG REGULATOR PLATE	
15	V60733000	ZIGZAG REGULATOR NUT	
16	004230316	SET SCREW (M3×10 B)	
17	003010043	E-RING (ETW-4)	
18	003010053	E-RING (ETW-5)	
19	V60743003	SS CAM CONTACT SUPPORTER	
20	V60763003	SS CAM CONTACT	
21	V60773003	SS CAM CONTACT SPRING	
22		FEED REGULATOR CRANK COMPLETE	FOR 82A0
	V60783003	FEED REGULATOR CRANK	FOR SA-1832
23	V60803003	BH REGULATOR PLATE	
24	V60813003	BH SPRING	
25	004240706	SET SCREW (M4×20)	
26	004840106	NUT (ALN-4)	
27	004230016	SET SCREW (M3×6 A)	
28	V4A0043003	PATTERN SELECTOR CAM SHAFT	
29	V60843000	PATTERN SELECTOR CAM	
30	V60853003	PATTERN SELECTOR CAM PLATE	
31	004240166	SET SCREW (M4×8)	

NO.	PART NO.	DESCRIPTION	REMARK
32	V60863000	BH PATTERN SELECTOR CAM	
33	004241046	SET SCREW (M4×10 A)	
34	003010063	E-RING (ETW-6)	
35	V60823003	PATTERN CAM CONTACT SUPPORTER SHAFT	
36	V60873003	PATTERN PLATE	
37	V60883003	FEED REGULATOR	
38	004240056	SET SCREW (M4×6 B)	
39	004300186	WASHER (6.2×12×0.5)	
40	VGA0183003	REVERSE LEVER	
41	V60943003	REVERSE PLATE	
42	V60953003	REVERSE ROD	
43	003010036	E-RING (ETW-3)	
44	M70093000	SPRING	
45	003020053	CS-RING (CSTW-5)	
46	VGA0123210	REVERSE BUTTON	
47	R13004000	SELECTOR DIAL SHAFT COMPLETE	
48	004300843	WASHER (7.2×12×1.0)	
49	V60923003	SELECTOR DIAL PLATE	
50	003042512	SPRING PIN (φ2.5×12)	
51	V61453210	SELECTOR DIAL	
52	VGAD013210	PATTERN DISPLAY PULLEY	

C. PRESSER BAR, NEEDLE BAR SUPPORTER, ZIGZAG REGULATOR



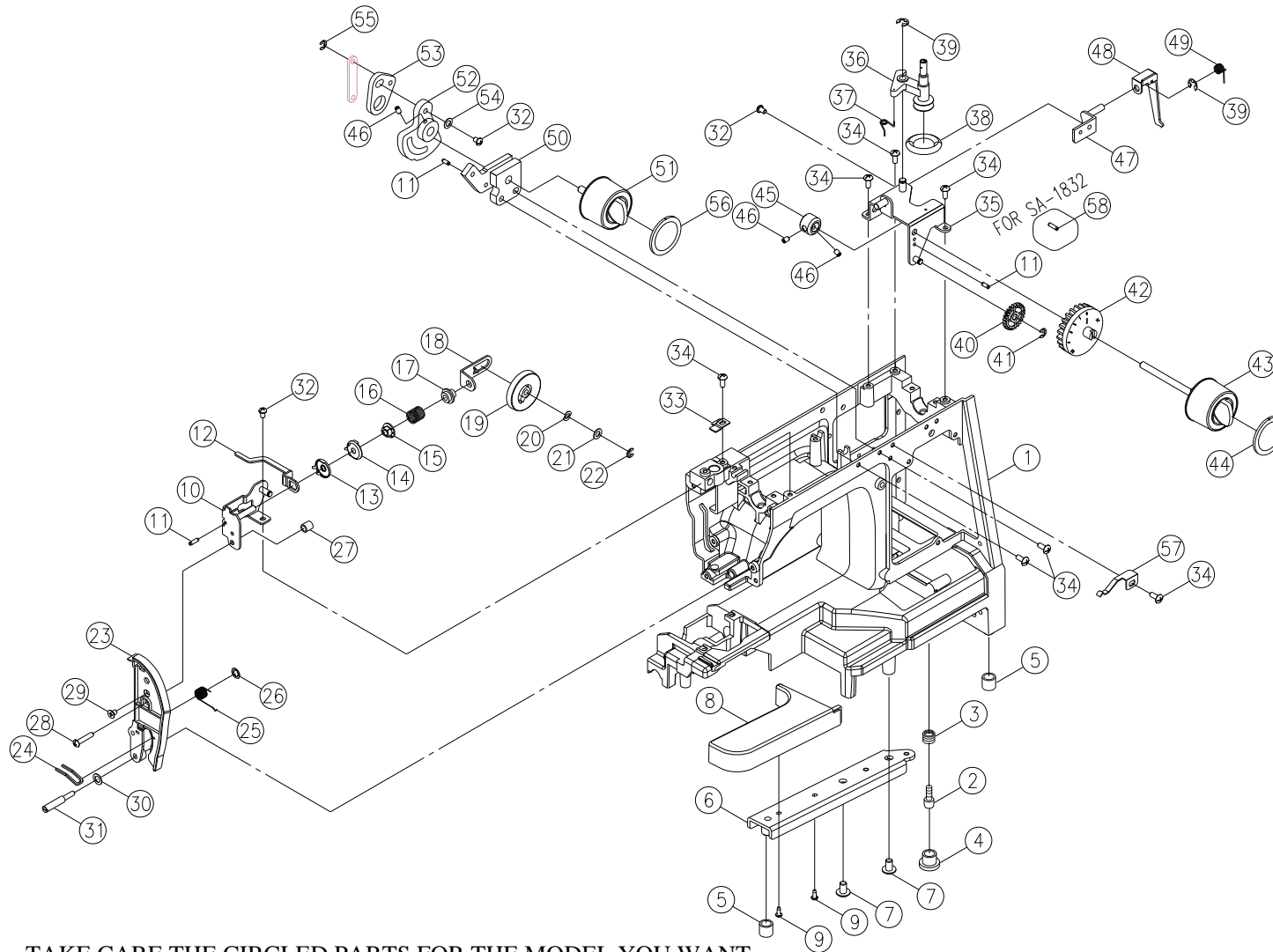
TAKE CARE THE CIRCLED PARTS FOR THE MODEL YOU WANT.

C. PRESSER BAR, NEEDLE BAR SUPPORTER, ZIGZAG REGULATOR

NO.	PART NO.	DESCRIPTION	REMARK
1		NEEDLE BAR SUPPORTER	FOR AUTO THREADER
	V61973002	NEEDLE BAR SUPPORTER	
2		NEEDLE BAR SUPPORTER PIN	FOR AUTO THREADER
	N80223003	NEEDLE BAR SUPPORTER PIN	
3	003010053	E-RING (ETW -5)	
4	V70273000	NEEDLE BAR	
5	TA11034000	NEEDLE CLAMP COMPLETE	
6	V880393003	NEEDLE BAR BRACKET (1)	
7	V880483000	NEEDLE BAR BRACKET (2)	
8	0030400020	PIN (φ2×12)	
9	V880633000	NEEDLE BAR CRANK ROD	
10	004106202	SET SCREW(9/64×40×6)	
11	004240503	SET SCREW (M4×4 C)	
12		AUTO THREADER STOPPER	FOR AUTO THREADER
13		SET SCREW (M3×8 A)	FOR AUTO THREADER
14		AUTO THREADER SHAFT	FOR AUTO THREADER
15		SPRING PIN (φ2×6)	FOR AUTO THREADER
16		SPRING PIN (φ2×14)	FOR AUTO THREADER
17		AUTO THREADER SHAFT SPRING	FOR AUTO THREADER
18		AUTO THREADER LERER	FOR AUTO THREADER
19		AUTO THREADER	FOR AUTO THREADER
20		AUTO THREADER LERER SPRING	FOR AUTO THREADER
21	004240033	SET SCREW (M4×5 C)	
22	H50583003	NEEDLE BAR SUPPORTER SPRING	
23	006046148	NEEDLE	
24	VGA0133000	PRESSER BAR LIFTER LEVER	
25	V60163000	PRESSER BAR LIFTER LEVER SCREW WASHER	
26	004240046	SET SCREW (M4×10 B)	
27	V70153002	PRESSER BAR	
28	V880573003	TENSION LEVER LIFTER	
29	H10723003	TENSION LEVER LIFTER SPRING	

NO.	PART NO.	DESCRIPTION	REMARK
30	H10533002	PRESSER BAR BRACKET	
31	004260023	SET SCREW(M6×5 C)	
32	V70163003	PRESSER BAR SPRING	
33	006187008	SHANK COMPLETE	
34	004106221	SHANK SCREW (9/64×40×8)	
35	006806008	ALL PURPOSE FOOT(J)	
36	V620163210	PRESSER BAR REGULATING SCREW	FOR EXPOSURE
		PRESSER BAR REGULATING SCREW	FOR NON-EXPOSURE
37		NEEDLE BAR DRIVING ROD	FOR 82A0.83A0
	V60175003	NEEDLE BAR DRIVING ROD COMPLETE	FOR SA-1832
38	E1A2993000	NEEDLE BAR DRIVING ROD PIN	
39	V640273006	ZIGZAG WIDTH CRANK ROD	
40	003010036	E-RING (ETW-3)	
41		ZIGZAG CONTACT SUPPORTER SHAFT	FOR 82A0.83A0
	V60993003	ZIGZAG CONTACT SUPPORTER SHAFT	FOR SA-1832
42	V61003003	ZIGZAG WIDTH REGULATING CAM BOX	
43	V61033003	ZIGZAG WIDTH SPRING	
44	004300493	WASHER(φ14×φ6.2×3)	
45		ZIGZAG REGULATOR CRANK	FOR 82A0.83A0
	V61013003	ZIGZAG REGULATOR CRANK	FOR SA-1832
46	004106053	SET SCREW (9/64×40×11)	
47	004706013	NUT (9/64×40×3)	
48	V61043003	ROD	
49	003010043	E-RING (ETW-4)	
50	H13093003	CARRYING HANDLE PLATE	
51	004240106	SET SCREW(M4×8 A)	

D. DIAL TENSION, BOBBIN WINDER, CLUTCH ROD, ZIGZAG WIDTH DIAL



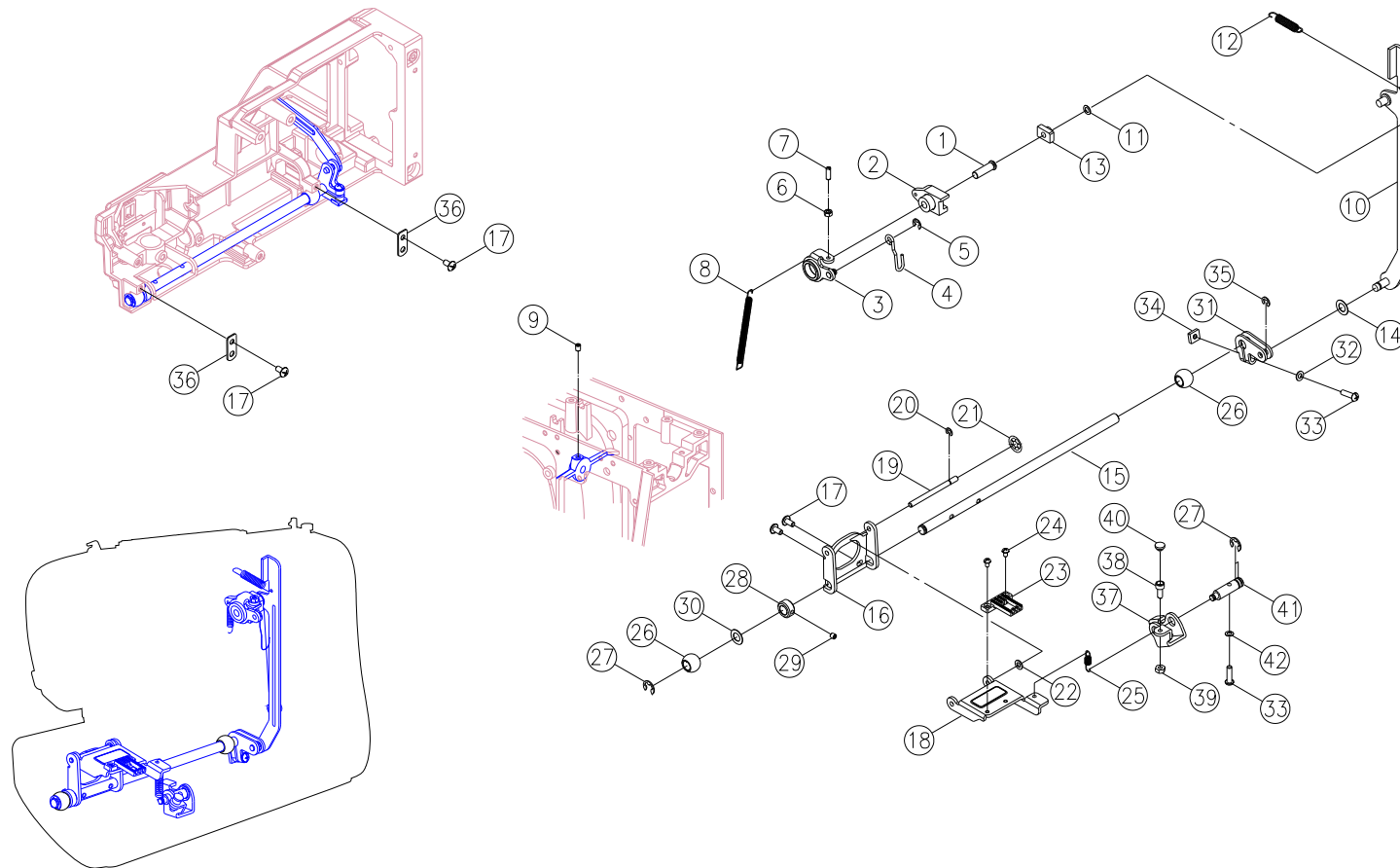
TAKE CARE THE CIRCLED PARTS FOR THE MODEL YOU WANT.

D. DIAL TENSION, BOBBIN WINDER, CLUTCH ROD, ZIGZAG WIDTH DIAL

NO.	PART NO.	DESCRIPTION	REMARK
1	V6E1013000	ARM	
2	K82133006	BASE PLATE ADJUSTMENT SCREW	
3	K82073003	BASE PLATE ADJUSTMENT SCREW SPRING	
4	E1A2503000	ADJUSTMENT FREE ARM BASE CUSHION RUBBER	
5	K6A0063000	FREE ARM BASE CUSHION RUBBER	
6	V6E1024000	FREE ARM FOOT	
7	004260056	SCREW (M6X10)	
8	V6E1143210	FREE ARM FOOT BASE	
9	004230842	SCREW (M3X8)	
10	V880554000	DIAL TENSION SUPPORTER PLATE COMPLETE	
11	003043010	SPRING PIN (ϕ 3X10)	
12	V880563003	DIAL TENSION WAFT PLATE	
13	003010043	E-RING (ETW-4)	
14	J30423001	DIAL TENSION DISC (1)	
15	E1A2333001	DIAL TENSION DISC	
16	D6B0623000	DIAL TENSION SPRING REGULATOR	
17	NB1083000	DIAL TENSION SPRING	
18	K50193000	DIAL TENSION REGULATOR	
19	V60273006	DIAL TENSION SPRING PLATE	
20	R10583210	DIAL TENSION KNOB	
21	004500360	WASHER (WW-5)	
22	004300643	WASHER (5.2X10X0.5)	
23	V4AA073210	DIAL TENSION SUPPORTER PLATE COVER	
24	V61873001	THREAD GUIDE	
25	V60303000	THREAD GUIDE SPRING	
26	003020053	CS-RING (CSTW-5)	
27	G4A1623001	DIAL TENSION GUIDE SPRING TUBE	
28	004240086	SCREW (M4X20B)	
29	004240176	SCREW (M4X6 D)	
30	004300136	WASHER (4.2X8X0.8)	
31	004240982	SCREW (M4X14)	
32	004240056	SCREW (M4X6 B)	

NO.	PART NO.	DESCRIPTION	REMARK
33	V880583003	TENSION LEVER REGULATING PLATE	
34	004240106	SCREW (M4X8 A)	
35	V880465006	BOBBIN WINDER FRAME COMPLETE	
36	V61165000	BOBBIN WINDER CRANK COMPLETE	
37	V61563003	BOBBIN WINDER CRANK SPRING	
38	F20213000	BOBBIN WINDER RUBBER PULLEY	
39	003010053	E-RING (ETW-5)	
40	V630193000	STITCH LENGTH GEAR	
41	003010046	E-RING (ETW-4)	
42	VGA0164210	STITCH LENGTH DIAL COMPLETE	
43	V640123000	FEED REGULATOR CAM	
44	VGAR023210	STITCH LENGTH DIAL PANEL	
45	Z70103003	COLLAR	
46	004240503	SCREW (M4X4 C)	
47	K6A1043003	CLUTCH ROD PLATE	
48	P3A1173003	CLUTCH ROD	
49	P3A1183003	CLUTCH ROD SPRING	
50	V640173006	ZIGZAG WIDTH DIAL PLATE	
51	VGA0144210	ZIGZAG WIDTH DIAL COMPLETE	
52	V640183003	ZIGZAG WIDTH CAM	
53	V640153003	ZIGZAG WIDTH CRANK	
54	004300096	WASHER (4X8X0.5)	
55	003010036	E-RING (ETW-3)	
56	VGAW013210	ZIGZAG WIDTH DIAL PANEL	
57	V640263003	NEEDLE POSITION PLATE	
58	003043008	SPRING PIN (ϕ 3X8)	

E. FEED REGULATING, FORK ROD, FEED ROCK SHAFT, FEED LIFTING ROCK CRANK

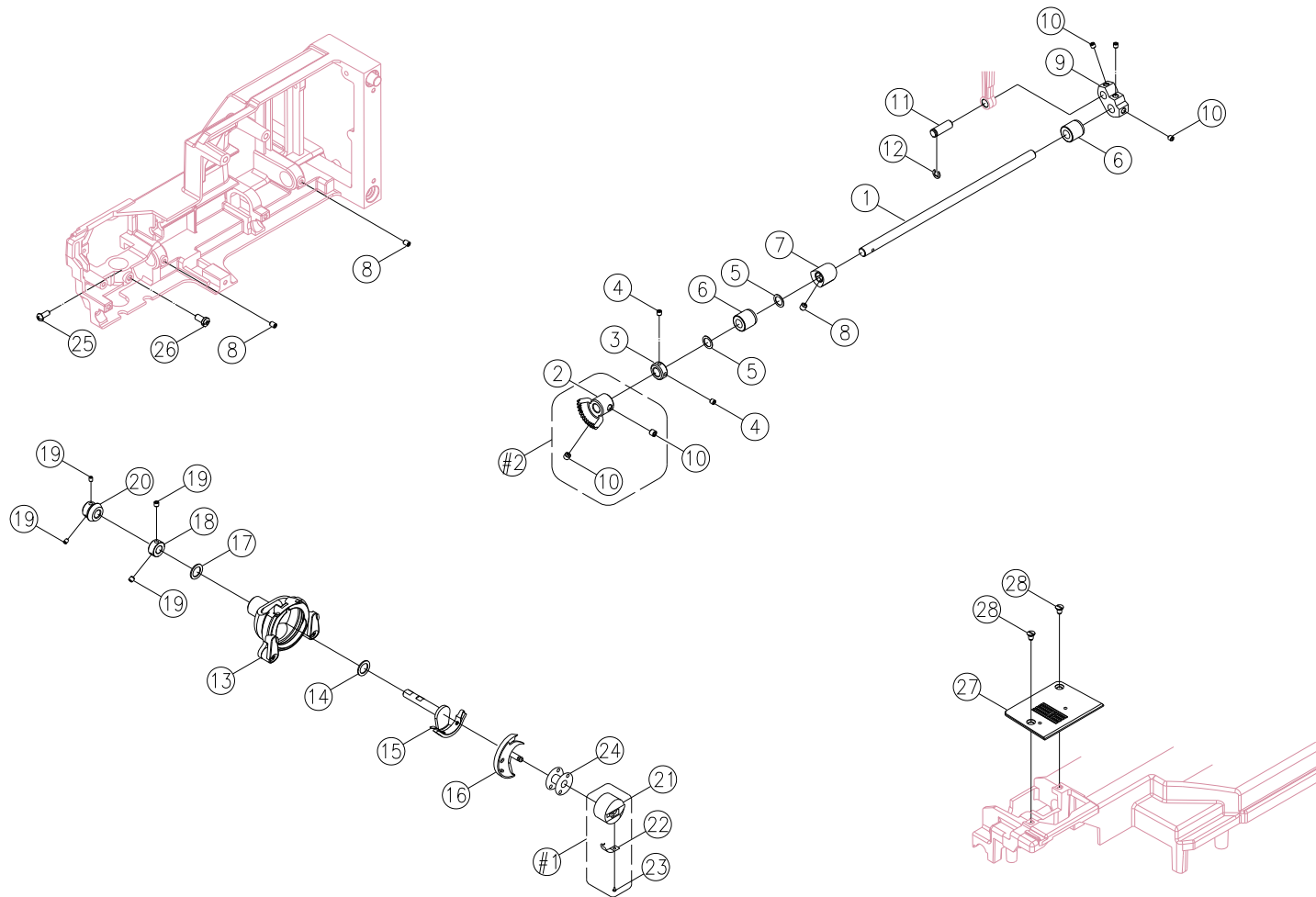


E. FEED REGULATING, FORK ROD, FEED ROCK SHAFT, FEED LIFTING ROCK CRANK

NO.	PART NO.	DESCRIPTION	REMARK
1	V60443000	FEED REGULATING SHAFT	
2	V60433000	FEED REGULATING	
3	V60393003	FEED REGULATING PLATE	
4	V60423003	FEED ROD	
5	003010046	E-RING (ETW-4)	
6	004706013	NUT (9/64×40 T=3)	
7	004106053	SET SCREW (9/64×40×11)	
8	V70063003	FEED REGULATING SPRING	
9	004240223	SET SCREW (M4×6 C)	
10	V60453003	FORK ROD	
11	004400180	ENDURE ATTRITION WASHER (5.7×10.2×0.5)	
12	V60463003	FORK ROD SPRING	
13	V11533000	FEED REGULATING BLOCK	
14	004400450	ENDURE ATTRITION WASHER (5.5×12×0.25)	
15	V60483000	FEED ROCK SHAFT	
16	V60493003	FEET ROCK FRAME	
17	004240106	SET SCREW (M4×8 A)	
18	V60503003	FEED DOG FRAME	
19	V60513003	FEED DOG FRAME SHAFT	
20	003010036	E-RING (ETW-3)	
21	003090043	NUT (SPN-4)	
22	004300136	WASHER (4.2×8×0.8)	
23	V620523000	FEET DOG	
24	004230056	SET SCREW (M3×5 B)	
25	V60533003	FEED DOG FRAME SPRING	
26	V60343000	FEED ROCK BUSHING	
27	003010063	E-RING (ETW-6)	
28	H11943003	PATTERN CAM SHAFT COLLAR	
29	004240503	SET SCREW (M4×4 C)	
30	004400410	ENDURE ATTRITION WASHER (8.2×12×0.25)	
31	V60553003	FEED ROCK CRANK	
32	004300093	WASHER (4×8×0.5)	

NO.	PART NO.	DESCRIPTION	REMARK
33	004240146	SET SCREW (M4×15 B)	
34	004840073	FEED ROCK CRANK NUT (M4)	
35	003010043	E-RING (ETW-4)	
36	V60563003	BUSHING HOLDER PLATE	
37	V60583003	FEED LIFTING ROCK CRANK	
38	004250323	SEW SCREW	
39	004840022	NUT (M4 T=3)	
40	K81243000	SEW SCREW KNOB	
41	V60593003	FEED LIFTING ROCK SHAFT	
42	004600026	WASHER (4.2×7.2×1.2)	

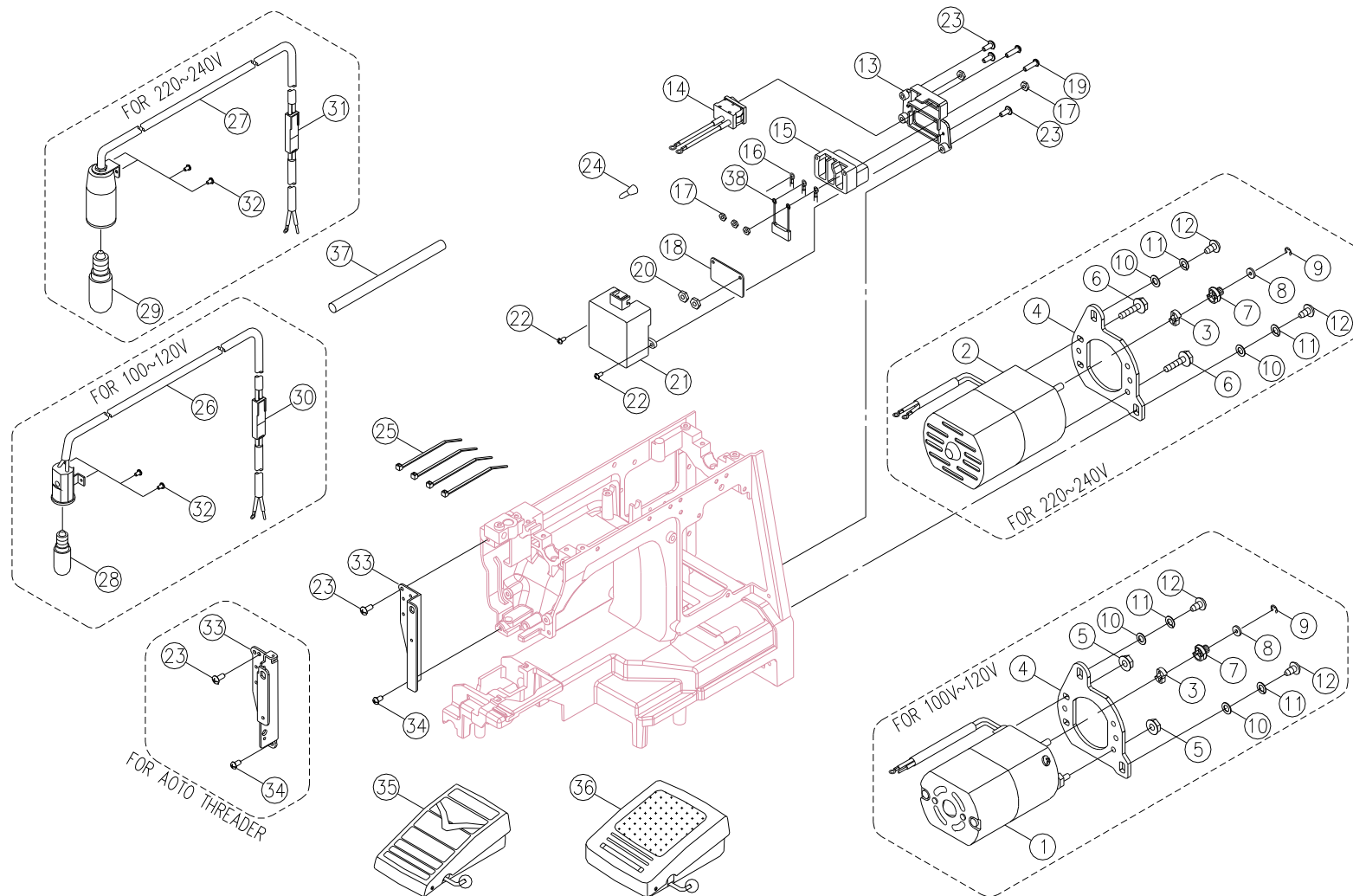
F. LOWER SHAFT, SHUTTLE HOOK



F. LOWER SHAFT, SHUTTLE HOOK

NO.	PART NO.	DESCRIPTION	REMARK
1	M1A0083000	LOWER SHAFT	
2	G4A1573000	LOWER SHAFT GEAR	
3	V11553003	LOWER SHAFT COLLAR	
4	004240503	SET SCREW (M4X4C)	
5	004400410	ENDURE ATTRITION WASHER (8.2X12X0.25)	
6	E1A0283000	FEED ROCK BUSHING	
7	V6E1123000	FEED LIFTING ROCK CAM	
8	004240223	SET SCREW (M4X6C)	
9	V60363000	CRANK CONNECTING ROD CRANK	
10	004250203	SET SCREW (M5X5C)	
11	V10833003	CRANK CONNECTING ROD CRANK PIN	
12	003010053	E-RING (ETW-5)	
13	V10995000	OPEN SHUTTLE RACE COMPLETE	
14	004400800	ENDURE ATTRITION WASHER (7.6×12×0.13)	
15	K81125000	SHUTTLE DRIVER COMPLETE	
16	V62043000	SHUTTLE HOOK (4.6MM)	
17	004400210	ENDURE ATTRITION WASHER (8.2×16×0.5)	
18	H71153003	SHUTTLE DRIVER SHAFT COLLAR	
19	004107293	SET SCREW(11/64×40×4)	
20	G4A1583000	SHUTTLE DRIVER SHAFT GEAR	
21	H71186001	BOBBIN CASE	
22	H13803001	BOBBIN CASE SPRING	
23	H13973002	BOBBIN CASE SPRING SET SCREW	
24	006084009	BOBBIN	
25	004240046	SET SCREW (M4X10B)	
26	004250151	SET SCREW (M5X10B)	
27	V620033001	NEEDLE PLATE	
28	004240851	NEEDLE PLATE COMPLETE SET SCREW	
#1	H71185000	BOBBIN CASE COMPLETE	
#2	G4A1574000	LOWER SHAFT GEAR COMPLETE	

G. MOTOR & LAMP HOLDER



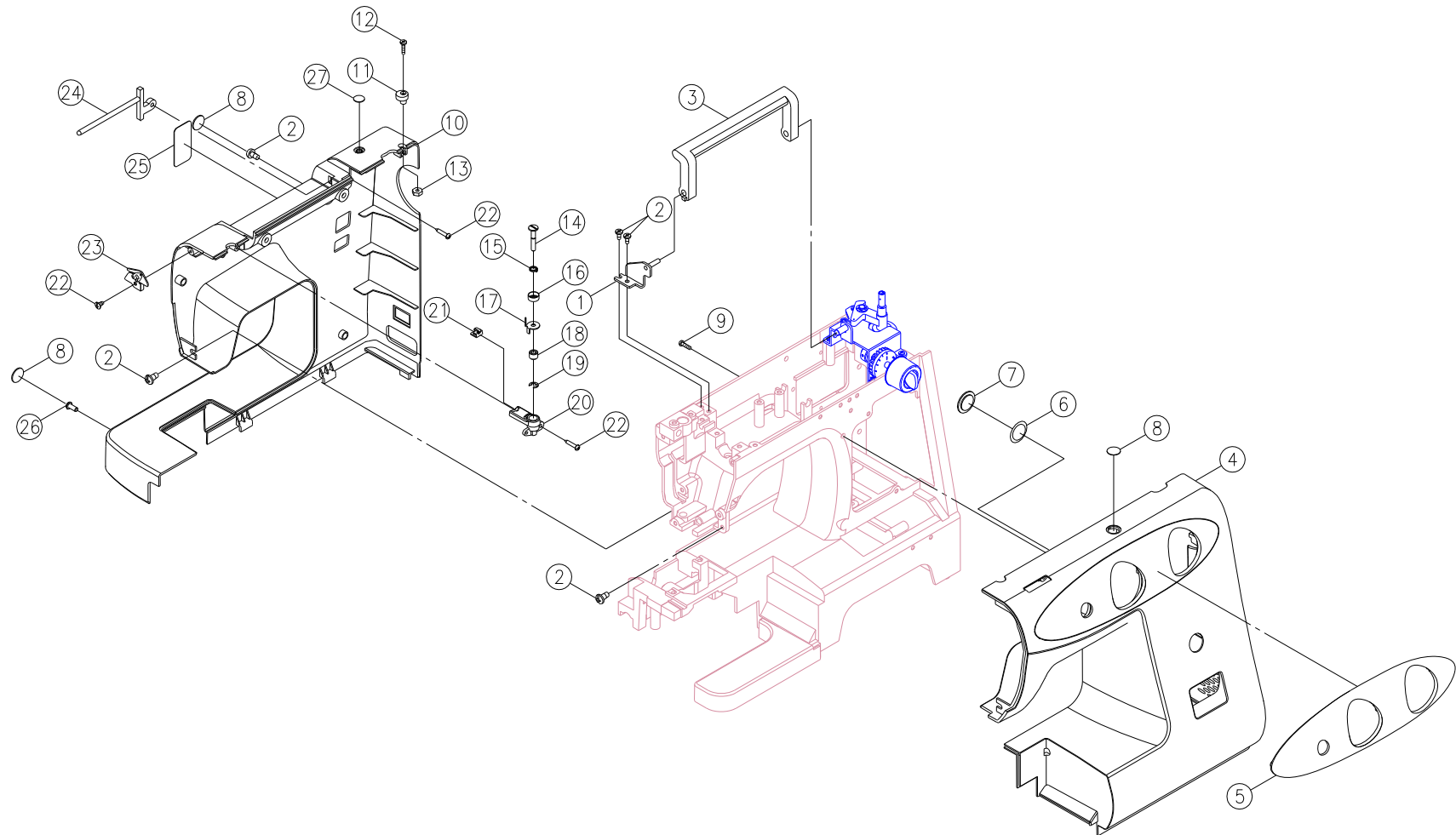
ALL VOLTAGE APPLICATION & SPEC. ,PLEASE CHECK NEXT PAGE.

G. MOTOR & LAMP HOLDER

NO.	PART NO.	DESCRIPTION	REMARK
1		MOTOR COMPLETE (HF(S)-07150)	FOR 120V/US
2	001164209	MOTOR COMPLETE (HF(S)-07250)	FOR 230V /EU.
3	008059302	CUSHION RUBBER	
4	002397025	MOTOR BRACKET	
5		NUT (M4 T=5.5)	FOR 100~120V
6	004241428	SET SCREW (M4×10.2)	FOR 220~240V
7	002396029	BELT WHEEL	
8	002145029	MOTOR FEED REGULATOR COLLAR	
9	003010036	E-RING (ETW-3)	
10	004300306	WASHER (5.4×10×0.9)	
11	004600296	SPRING WASHER (5.2×9×1)	
12	004250086	SET SCREW (M5×12)	
13	002252129	RECEPTACLE HOLDER	
14	002425118	SWITCH ASS 'Y	
15	002624129	RECEPTACLE (Z11)	
16	003012061	WASHER (6×3.2)	
17	004840120	NUT (M3×4)	
18	002621129	CONCERT INSULATION PLATE	
19	004230865	SET SCREW (M3X20)	
20	004830016	NUT (M3 T=2.3)	
21	002248129	RECEPTACLE HOLDER COVER	
22	004230286	SET SCREW (M3X8 B)	
23	004240106	SET SCREW (M4X8 A)	
24	AA0463000	END TERMED	
25	002027129	CORD CLIP	
26		LAMP HOLDER COMPLETE	FOR 100~ 120V
27	002423118	LAMP HOLDER COMPLETE	FOR 220~240V
28		LAMP (10W)	FOR 120V
29	005240011	LAMP (15W E-12)	FOR 230V.240V
30		LEAD WIRE ASS 'Y	FOR 100~120V
31	002424118	LEAD WIRE ASS 'Y	FOR 220~240V
32	004230056	SET SCREW (M3×5 B)	

NO.	PART NO.	DESCRIPTION	REMARK
33		LAMP BRACKET	FOR AUTO THREADER
	V6E0373006	LAMP BRACKET	
34	004240056	SET SCREW (M4X6 B)	
35		FOOT CONTROLLER (KD-1902)	FOR 100~120V / U.S.A
36	002E9R1007	FOOT CONTROLLER (KD-2902)	FOR 230V / SOUTH AFRICA
37	002486000	SPAGHETTI	
38		CONDENSER	FOR 240V /U.K

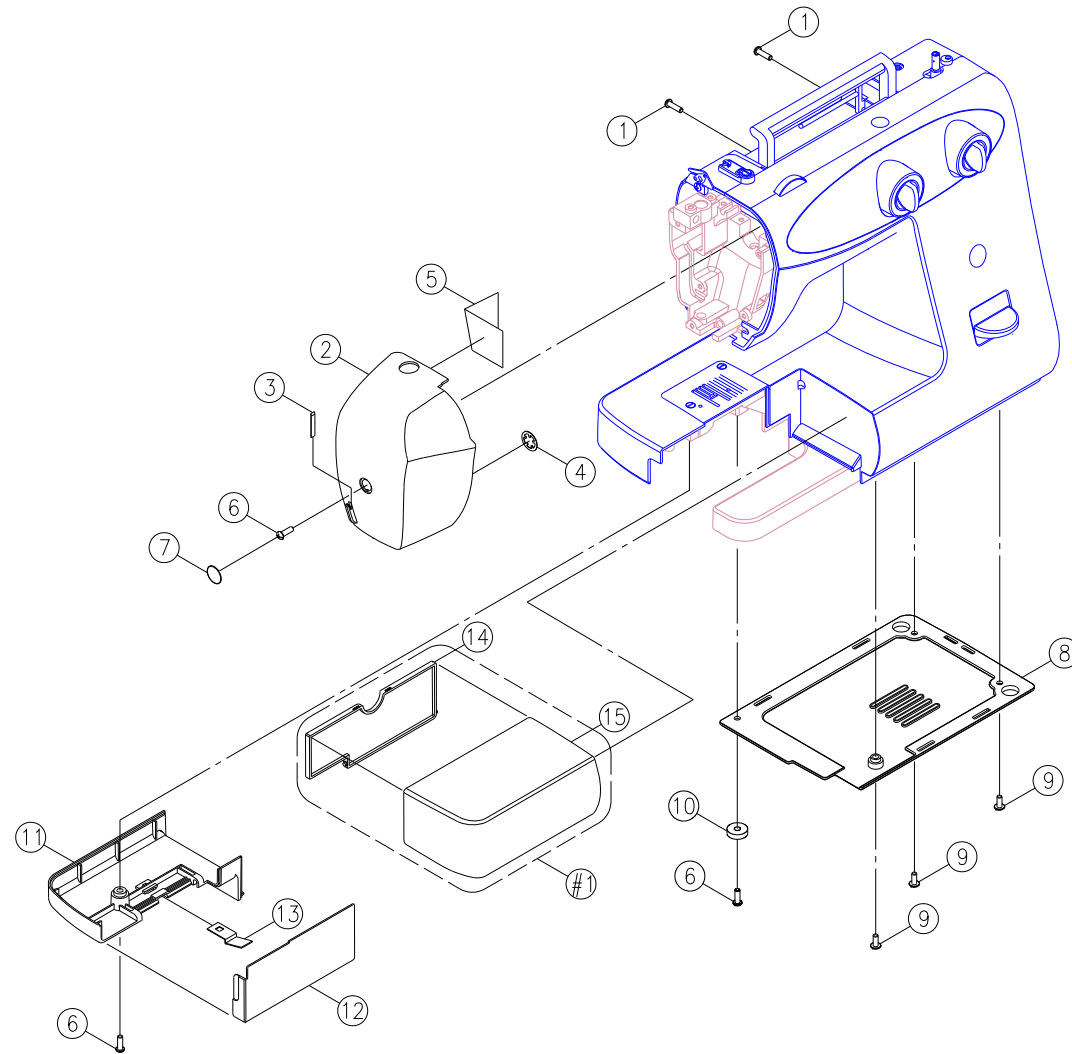
H. FRONT COVER, BACK COVER



H. FRONT COVER, BACK COVER

NO.	PART NO.	DESCRIPTION	REMARK
1	V62033006	HANDLE BRACKET COMPLETE	
2	004240106	SET SCREW (M4×8 A)	
3	V610243210	HANDLE	
4	VGAC043210	FRONT COVER	
5	VGAP013210	FRONT PANEL	
6	008465000	PATTERN DISPLAY WINDOW STICKER	
7	F30103000	PATTERN DISPLAY WINDOW	
8	V61503210	PLATE (1)	
9	004240526	SET SCREW (M4×12 B)	
10	VGAB013210	BACK COVER	
11	E1A2393000	BOBBIN WINDER STOPPER	
12	004106371	SET SCREW (9/64×4×18 B)	
13	004706013	NUT (9/64×40 T=3)	
14	V610213001	BOBBIN WINDER THREAD GUIDE ADJUSTING SCREW	
15	H13153001	BOBBIN WINDER THREAD GUIDE SPRING	
16	H13133001	BOBBIN WINDER SPRING DISC	
17	V610223001	BOBBIN WINDER THREAD GUIDE	
18	V610233006	SPACER	
19	003010036	E-RING (ETW-3)	
20	V610203210	BOBBIN WINDER THREAD GUIDE BASE	
21	V610363001	THREAD GUIDE	
22	004230646	SET SCREW (M3×16.7 B)	
23	V610155000	THREAD GUIDE COMPLETE	
24	V610443210	SPOOL PIN BASE	
25	V61523210	PLATE (2)	
26	004240046	SET SCREW (M4×10 B)	
27		PLATE STICKER	

I. FACE PLATE, BOTTOM PLATE, BED COVER, SEWING TABLE

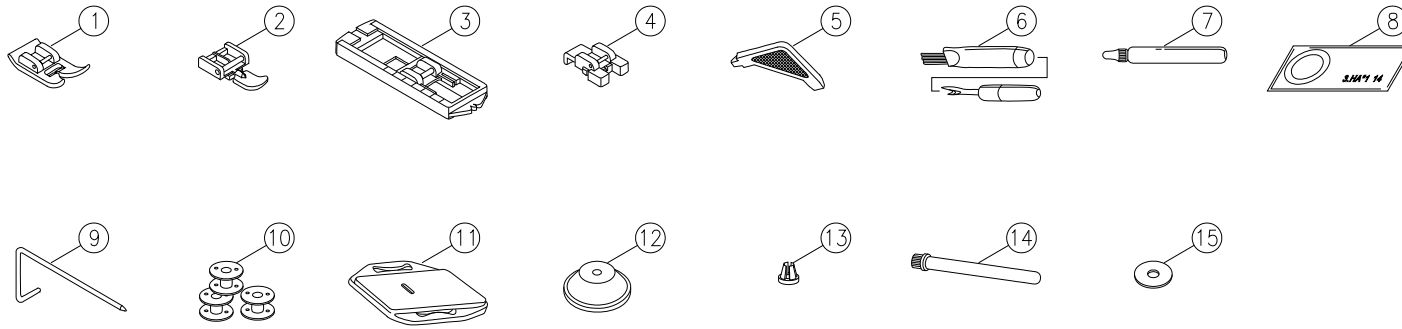


I. FACE PLATE, BOTTOM PLATE, BED COVER, SEWING TABLE

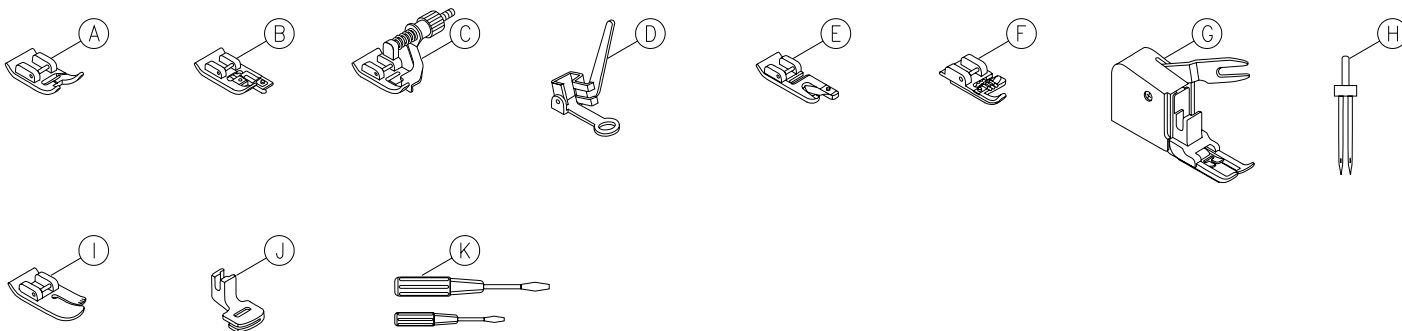
No.	PART NO.	DESCRIPTION	REMARK
1	004240306	SET SCREW (M4×10 B)	
2	V4AF083210	FACE PLATE	
3	V630593000	THREAD CUTTER	
4	003020053	CS-RING (CSTW-5)	
5	VGA0233000	HEAT RESISTANT PLATE	
6	004240046	SET SCREW (M4×10 B)	
7	V61503210	PLATE (1)	
8	V880453323	BOTTOM PLATE	
9	004240106	SET SCREW (M4×8 A)	
10	J31413000	FREE ARM BASE CUSHION RUBBER	
11	VGA0083210	BED COVER	
12	VGA0093210	HOOK COVER	
13	R12453002	HOOK COVER SPRING	
14	VGA0103210	SEWING TABLE BODY	
15	VGA0113210	SEWING TABLE BODY COVER	
#1	VGA0104210	SEWING TABLE BODY COMPLETE	

J. ACCESSORIES

STANDARD ACCESSORIES



OPTIONAL ACCESSORIES



J. ACCESSORIES

STANDARD ACCESSORIES			
NO.	PART NO.	DESCRIPTION	REMARK
1	006806008	ALL PURPOSE FOOT (J)	
2	006905008	ZIPPER FOOT (I)	
3	006909008	BUTTONHOLE FOOT (B)	
4	006914008	BUTTON SEWING FOOT (H)	
5	006093009	L-SCREWDRIVER	
6	006099008	SEAM RIPPER / BRUSH	
7	006013009	OIL BOTTLE	
8	006014148	PACK OF NEEDLES	
9	006008001	EDGE / QUILTING GUIDE	
10	006084009	BOBBIN	
11	006117009	DARNING PLATE	
12	R12373210	SPOOL HOLDER (LARGE)	
13	TA10943209	SPOOL HOLDER (SMALL)	
14	R60033210	SECOND SPOOL PIN	
15	006015009	SPOOL PIN FELT	

OPTIONAL ACCESSORIES			
NO.	PART NO.	DESCRIPTION	REMARK
A	006804008	SATIN STITCH FOOT	
B	006803008	OVERCASTTING FOOT (G)	
C	006812008	BLIND HEM FOOT (L)	
D	006016008	DARNING / EMBROIDERY FOOT	
E	006800008	HEMMER FOOT	
F	006810008	CORDING FOOT	
G	006815008	WALKING FOOT	
H	006020008	TWIN NEEDLE	
I	006916008	QUILTING FOOT	
J	006917008	GATHERING FOOT	
K	006012008	SCREWDRIVER(LARGE & SMALL)	

NOTE: WHEN YOU ORDER ANY SPARE PARTS FROM US, PLEASE COOPERATE WITH US BY WRITING.

- (1) SECTION & SEQUENCE NO.
- (2) NAME OF PARTS
- (3) VOLTAGE, IF NECESSARY
- (4) OTHERS, IF ANY