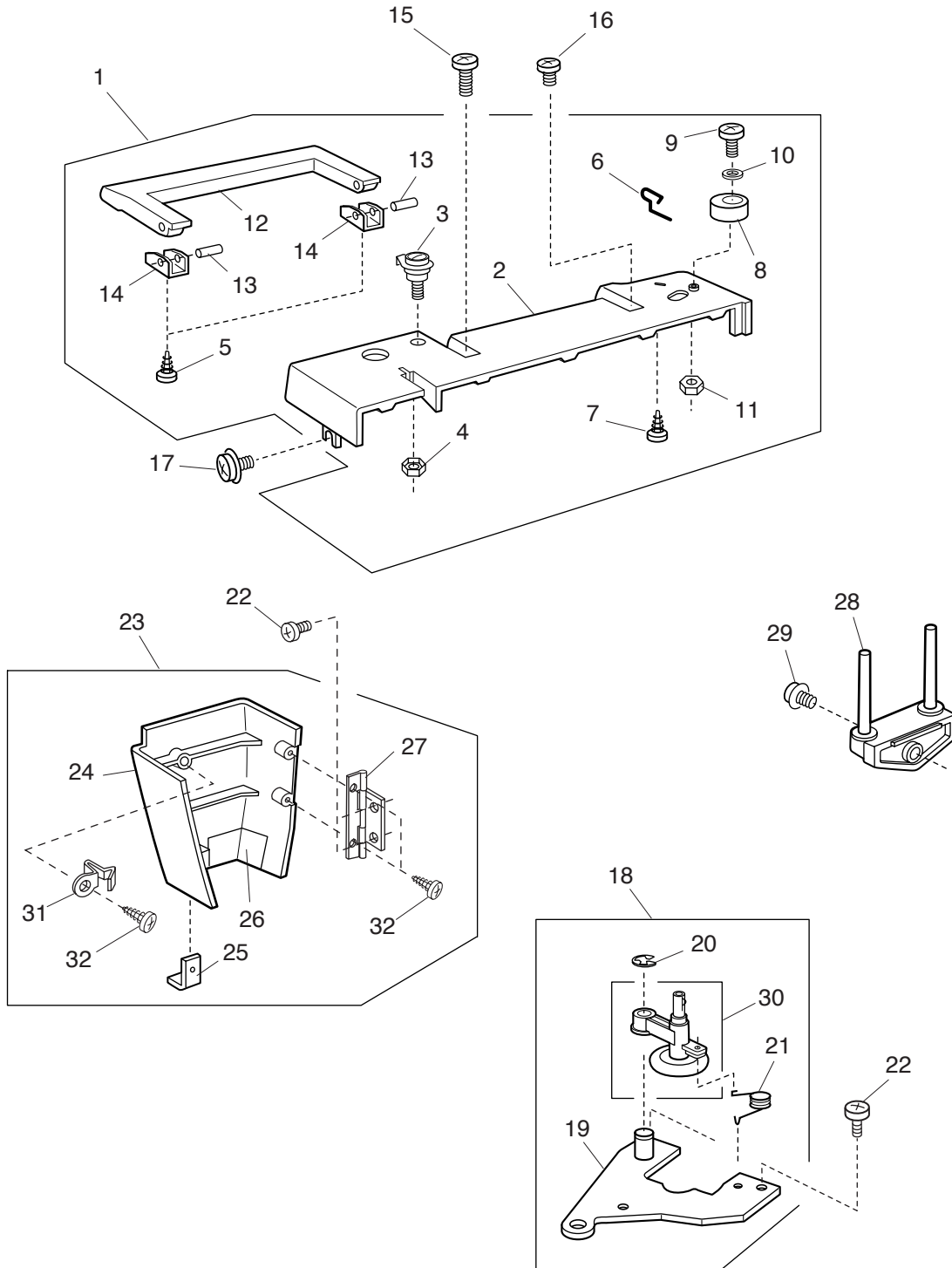


# ***PARTS LIST***

**MODEL : 393A**

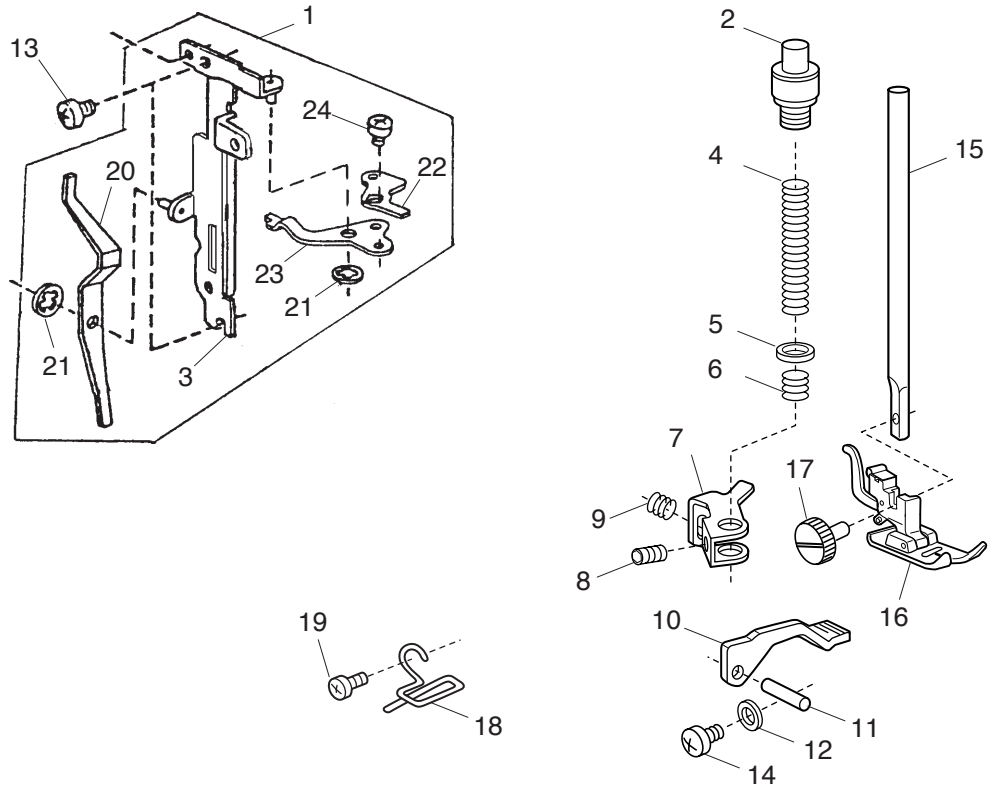
# PARTS LIST



# PARTS LIST

KEY NO.	PARTS NO.	DESCRIPTION
1	731601602	Top cover (unit)
2	731003206	Top cover
3	730501011	Thread guide plate (unit)
4	000160102	Adjustable lock nut
5	000107204	Setscrew TP 3x12 (B)
6	731004001	Top cover thread guide
7	000109000	Setscrew TP 3x6
8	735016307	Bobbin winder stopper
9	000101828	Setscrew 4x16
10	000071013	Washer 4
11	000061205	Nut 4-3-7
12	731005208	Carrying handle
13	730015002	Handle fixing plate pin
14	730016003	Handle fixing plate
15	000104108	Setscrew 4x20
16	000101404	Setscrew 4x6
17	000115205	Setscrew TP 4x6
18	730604107	Bobbin winder (unit)
19	730018108	Bobbin winder base plate
20	000002806	Snap ring E-6
21	730019006	Bobbin winder spring
22	000081119	Setscrew 4x8
23	731602201	Face plate (unit)
24	731007200	Face plate
25	840602006	Thread cutter (unit)
26	366076000	Sticker
27	366501102	Face plate hinge (unit)
28	722003002	Spool pin base
29	000115700	Setscrew TP 4x10
30	730502104	Bobbin winder arm (unit)
31	731067002	Face plate spring
32	000161000	Setscrew 3x9 (B)

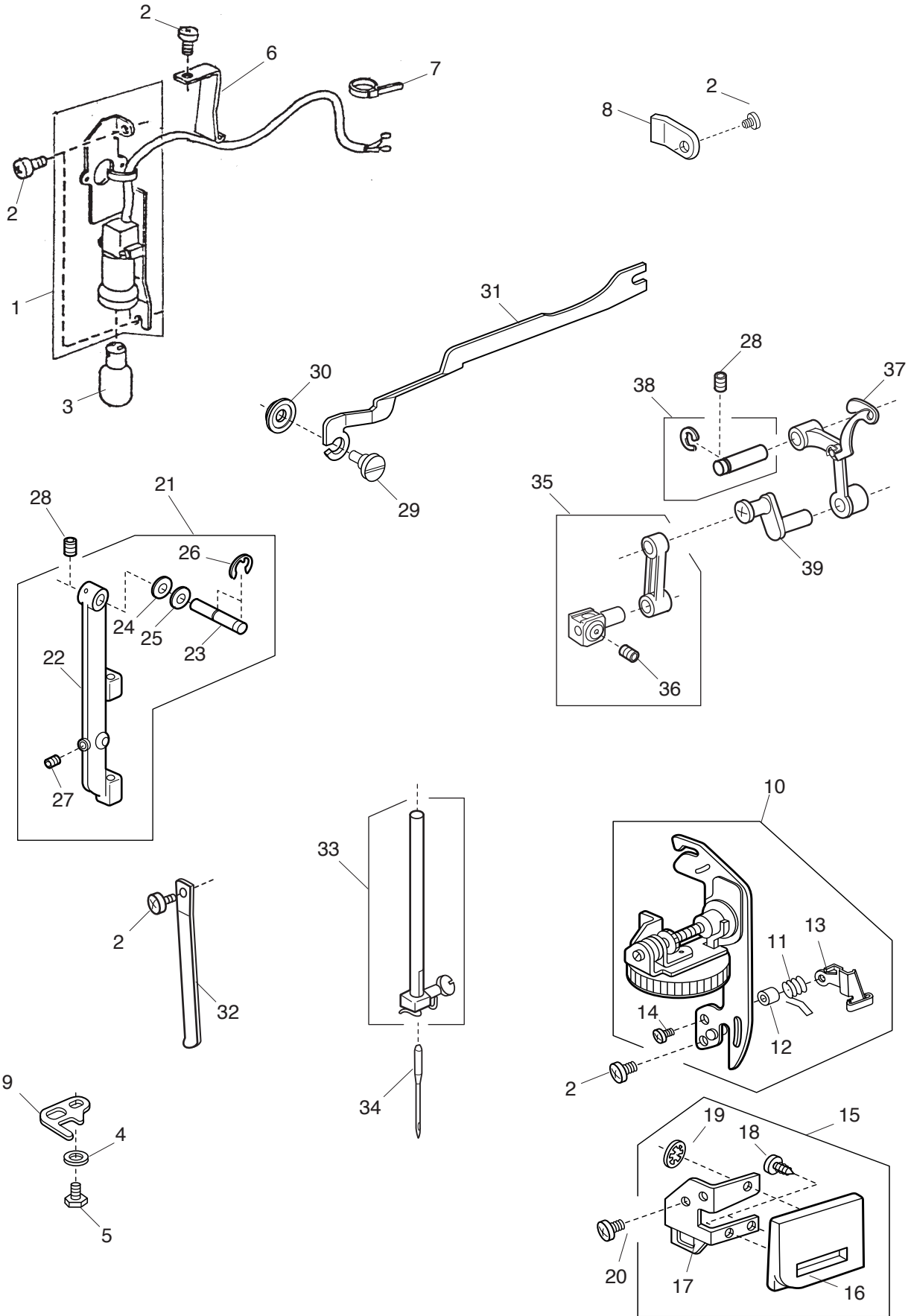
# PARTS LIST



# PARTS LIST

KEY NO.	PARTS NO.	DESCRIPTION
1	731603006	Front barcket (unit)
2	647505117	Pressure regulator (unit)
3	731010000	Front bracket
4	731063008	Presser bar spring
5	102061008	Washer
6	749060000	Pressure regulator spring
7	822069009	Presser bar guide bracket
8	000111500	Hexagonal socket screw 4x8
9	102222009	Pressure regulator spring
10	822071004	Presser foot lifter
11	822072005	Presser foot lifter pin
12	000072302	Washer 4
13	000101404	Setscrew 4x6
14	000103509	Setscrew 4x10
15	350804006	Presser bar
16	611520003	Foot holder (unit)
17	647112009	Thumbscrew
18	731009006	Arm thread guide
19	000100300	Setscrew 3.5x5
20	730029009	Thread tension release lever
21	000013903	Snap ring CS-5
22	731011001	Thread tension release plate (1)
23	730031004	Thread tension release plate (2)
24	000103808	Setscrew 3x5

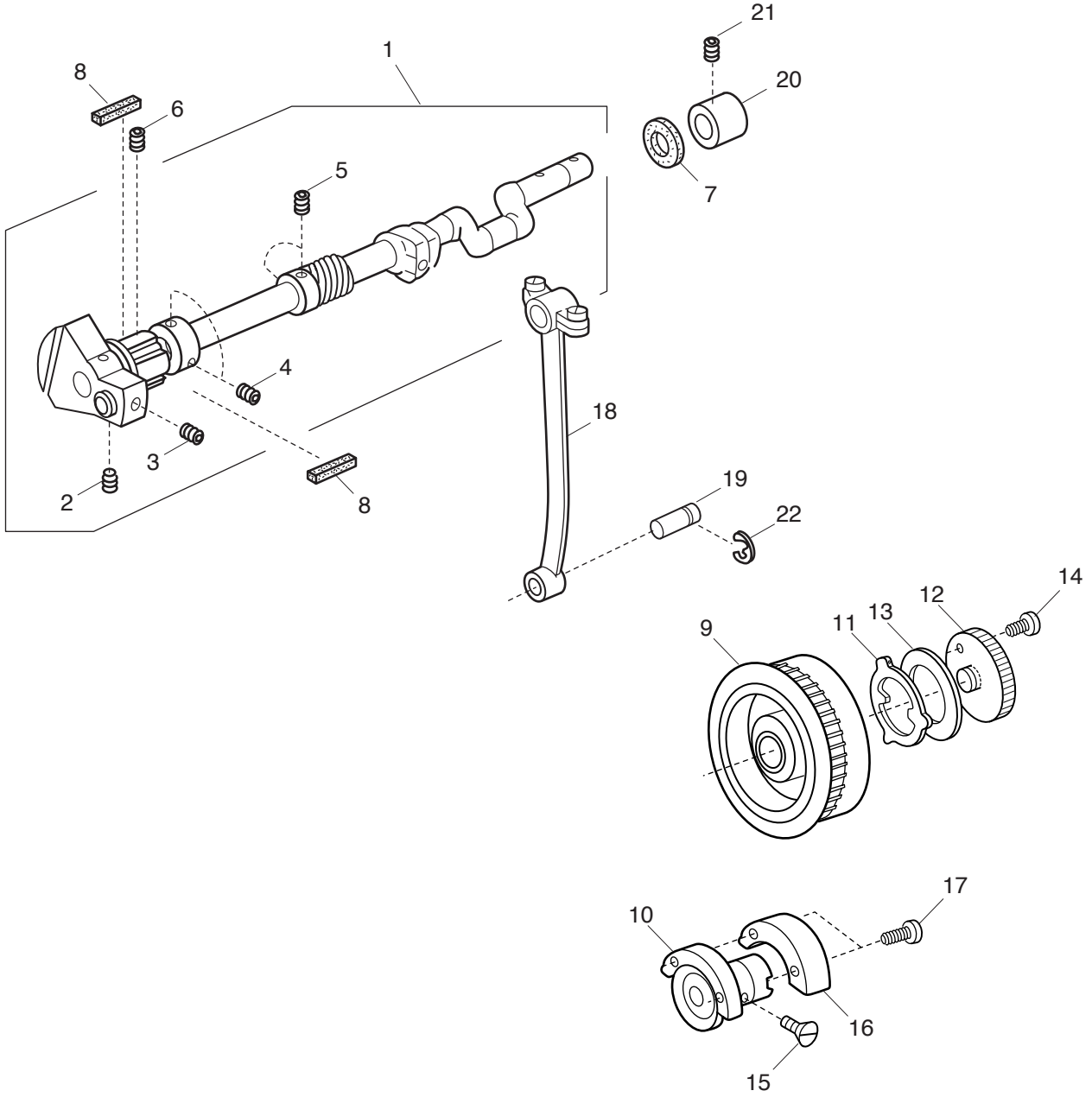
# PARTS LIST



# PARTS LIST

KEY NO.	PARTS NO.	DESCRIPTION
1	731503005	Lamp socket (unit)
2	000101404	Setscrew 4x6
3	000009009	Lamp 240V
4	000070506	Washer 4
5	000066303	Hexagonal bolt 4x6
6	693047005	Cord holder
7	000053008	Cord binder
8	685049002	Cord guide
9	680036001	Stopper
10	731501405	Thread tension regulator (unit)
11	650044009	Check spring
12	650043008	Cushion
13	722029004	Thread guide
14	000069708	Setscrew 3x10
15	731625196	Front decorative frame (unit)
16	731064113	Front decorative frame
17	731062007	Face cover set plate
18	000120203	Setscrew 3x8 (B)
19	000014007	Snap ring CS-4
20	000101507	Setscrew 3.5x5
21	303632005	Needle bar supporter (unit)
22	303087009	Needle bar supporter
23	730022002	Needle bar supporter pin
24	673022002	Spring washer
25	000070609	Plain washer 6
26	000002507	Snap ring E-4
27	000111902	Hexagonal socket screw 3x4
28	000111304	Hexagonal socket screw 5x5
29	678084007	Eccentric pin
30	748021006	Zigzag rod washer
31	730023003	Zigzag rod
32	730024004	Needle bar supporter spring
33	730503116	Needle bar (unit)
34	102408089	Needle HA1-14
35	680504005	Needle bar connecting stud (unit)
36	000111201	Hexagonal socket screw 4x4
37	625506109	Thread take-up lever (unit)
38	731511006	Thread take-up lever pin (unit)
39	730509008	Needle bar crank pin (unit)

# PARTS LIST

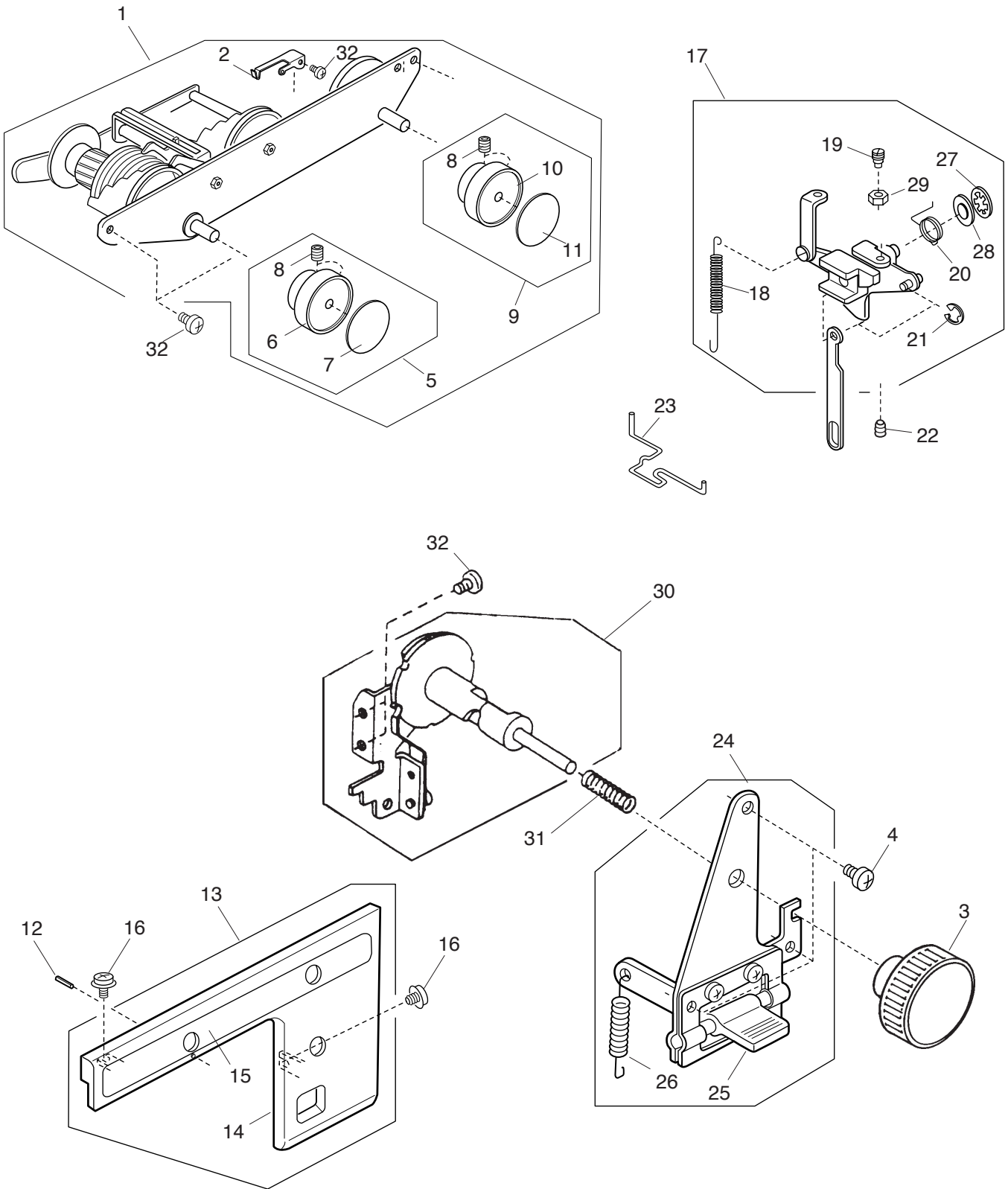




# PARTS LIST

KEY NO.	PARTS NO.	DESCRIPTION
1	730608008	Upper shaft (unit)
2	102073003	Screw
3	102063000	Screw
4	000111304	Hexagonal socket screw 5x5
5	000111201	Hexagonal socket screw 4x4
6	000110303	Hexagonal socket screw 4x6
7	735143005	Felt
8	731312005	Felt
9	730036308	Handwheel
10	730037000	Handwheel bushing
11	102076006	Motion washer
12	647036400	Motion screw
13	647037009	Washer
14	102078101	Setscrew
15	671106005	Setscrew
16	640008000	Balance weight
17	000105202	Setscrew 3x12
18	738634007	Crank rod (unit)
19	735064001	Crank rod pin
20	671021005	Upper shaft rear bushing
21	000111108	Hexagonal socket screw 4x6
22	000002806	Snap ring E-6

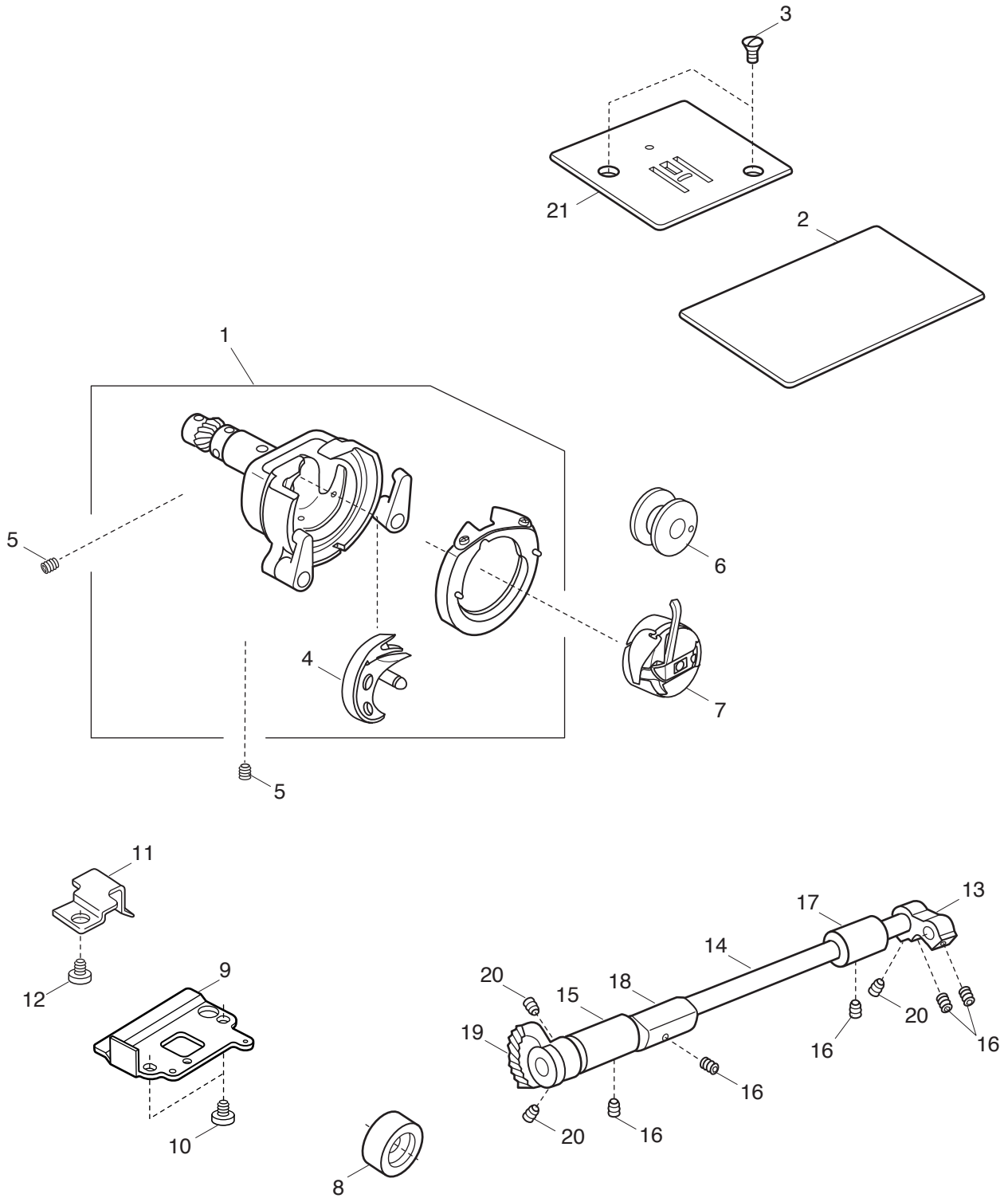
# PARTS LIST



# PARTS LIST

KEY NO.	PARTS NO.	DESCRIPTION
1	731631265	Zigzag mechanism (unit)
2	730089007	Index spring
3	731606881	Stitch length dial (unit)
4	000081005	Setscrew 4x8
5	731628834	Pattern width dial (unit)
6	731023604	Dial
7	721156008	Stitch width indicating plate
8	000111201	Hexagonal socket screw 4x4
9	731611177	Stitch selector dial (unit)
10	731023604	Dial
11	721157009	Pattern indicator plate
12	000004107	Spring pin
13	731626902	Front cover (unit)
14	721139603	Front cover
15	721154006	Decoration plate
16	000115205	Setscrew TP 4x6
17	731605101	Feed regulator (unit)
18	740125007	Feed regulator spring
19	648012001	Setscrew
20	803134007	Feed regulating body spring
21	000002105	Snap ring E-3
22	000111304	Hexagonal socket screw 5x5
23	730041007	Spring sustainer
24	731608609	Reverse feed lever (unit)
25	731030707	Reverse feed lever
26	731033009	Reverse feed lever spring
27	000013903	Snap ring SC-5
28	735073003	Washer
29	000130102	Adjustable lock nut
30	731607000	Feed regulating cam (unit)
31	731029002	Spring
32	000101404	Setscrew 4x6

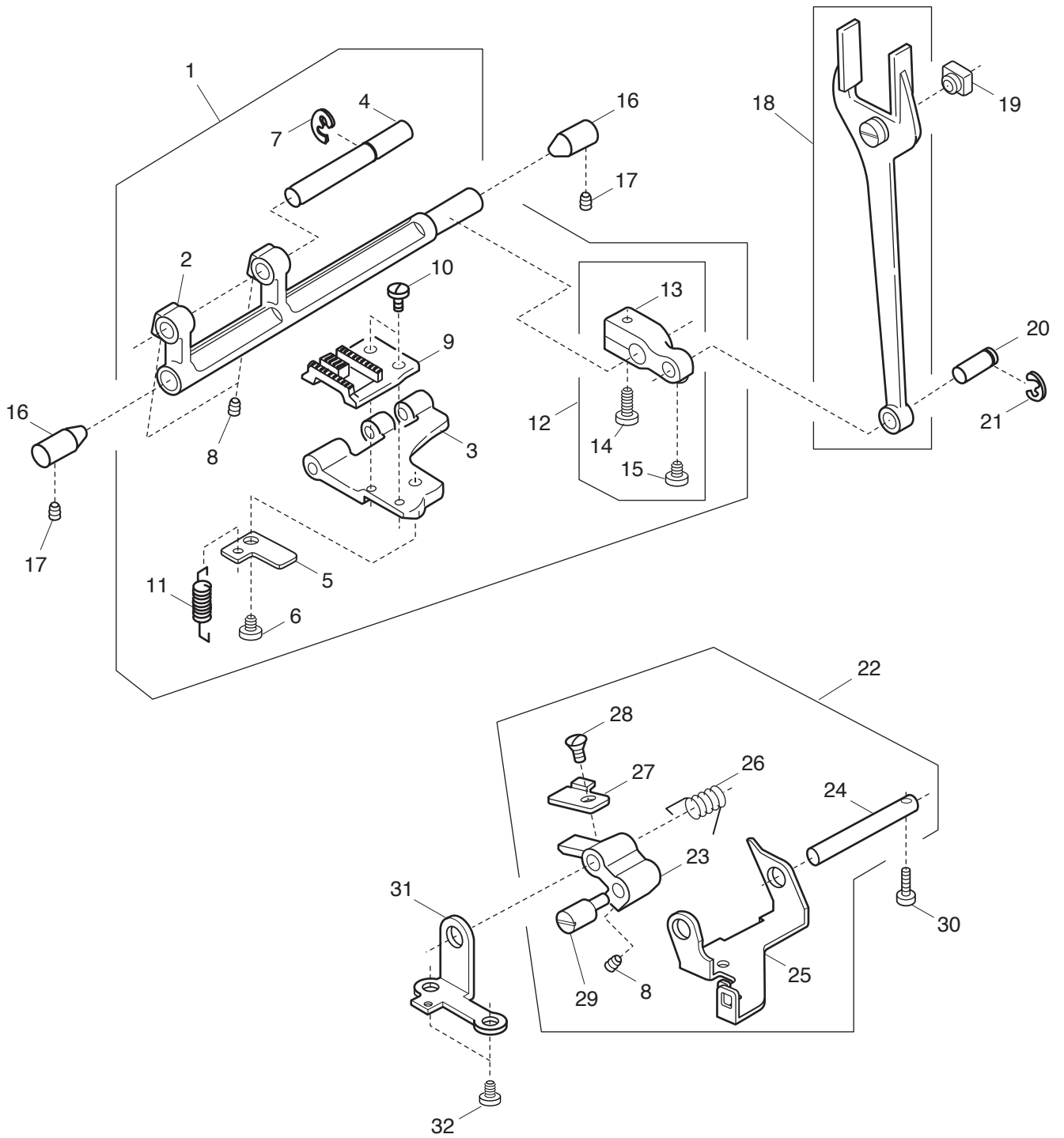
# PARTS LIST



# PARTS LIST

KEY NO.	PARTS NO.	DESCRIPTION
1	640603104	Hook race (unit)
2	720003202	Hook cover plate
3	681009101	Flat screw
4	532096007	Hook
5	000110901	Hexagonal socket screw 5x4
6	102261000	Bobbin
7	647515006	Bobbin case (unit)
8	640018003	Hook driver shaft bushing
9	730109004	Gear box rear cover
10	000101208	Setscrew 5x6
11	730107002	Gear box upper cover
12	000101404	Screw 4x6
13	738023007	Lower shaft crank
14	647142008	Lower shaft
15	738024008	Lower shaft front bushing
16	000111304	Hexagonal socket screw 5x5
17	640038009	Lower shaft rear bushing
18	647043008	Feed lifting cam
19	730038001	Lower shaft gear
20	000110107	Hexagonal socket screw 5x5 WP
21	730027007	Needle plate

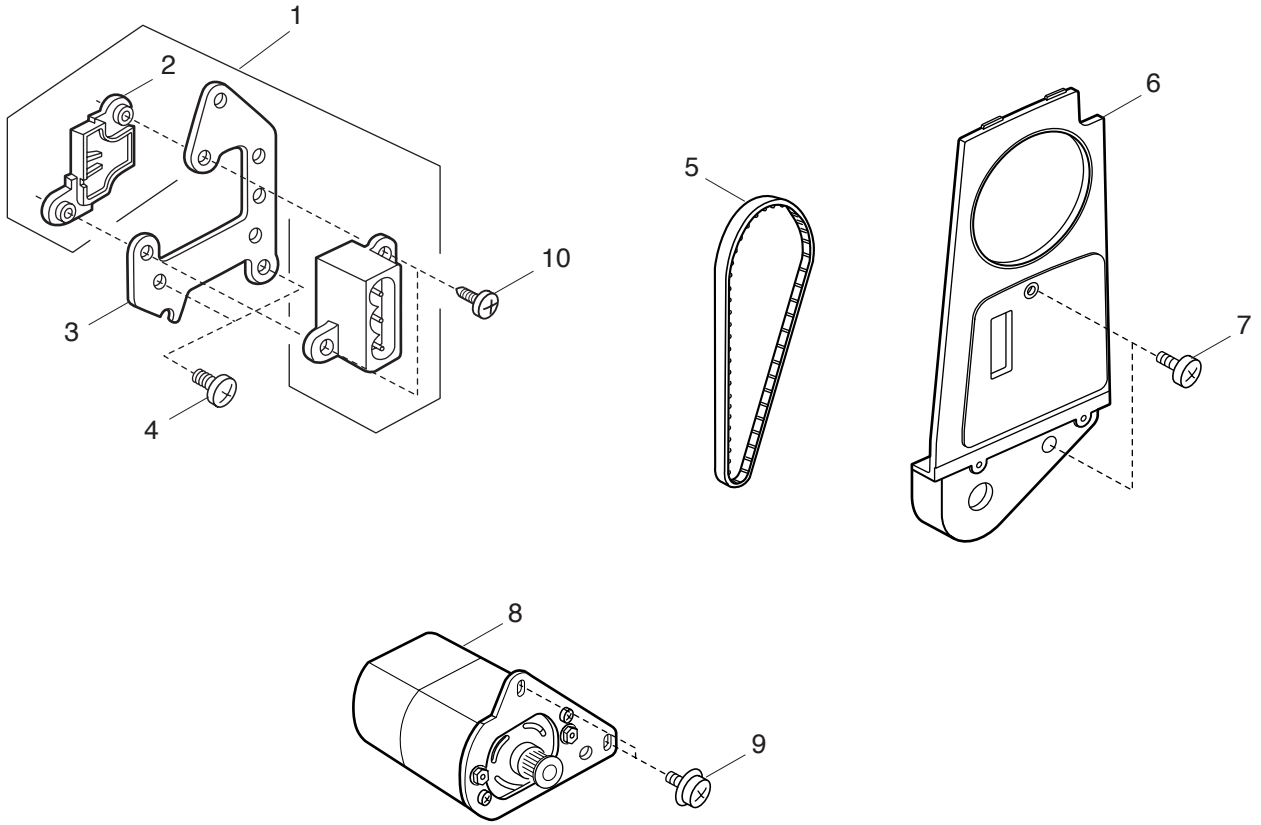
# PARTS LIST



# PARTS LIST

KEY NO.	PARTS NO.	DESCRIPTION
1	730611004	Feed rock shaft (unit)
2	730057006	Feed rock shaft
3	647066007	Feed dog base
4	647134007	Feed dog base shaft
5	648019008	Feed dog base sliding plate
6	102021202	Setscrew
7	000002507	Snap ring E-4
8	000111108	Hexagonal socket screw 4x6
9	730184003	Feed dog
10	730183002	Setscrew
11	672042005	Feed dog base spring
12	647612015	Feed rock shaft crank (unit)
13	647064005	Feed rock shaft crank
14	102151006	Setscrew
15	102205006	Setscrew
16	738055008	Straight pin
17	000111304	Hexagonal socket screw 5x5
18	647607006	Fork rod (unit)
19	102141003	Feed regulator slide block
20	673103008	Feed rock shaft connecting pin
21	000002806	Snap ring E-6
22	720601000	Feed lifting arm (unit)
23	738028002	Feed lifting arm
24	735090109	Feed lifting arm spring
25	720004007	Drop feed selecting plate
26	730061003	Drop feed selecting spring
27	730062004	Sliding plate
28	365032001	Flat screw
29	730063016	Feed lifting crank roller shaft
30	000101703	Setscrew 4x12
31	730064006	Feed lifting arm shaft holder
32	000101404	Setscrew 4x6

# PARTS LIST





# PARTS LIST

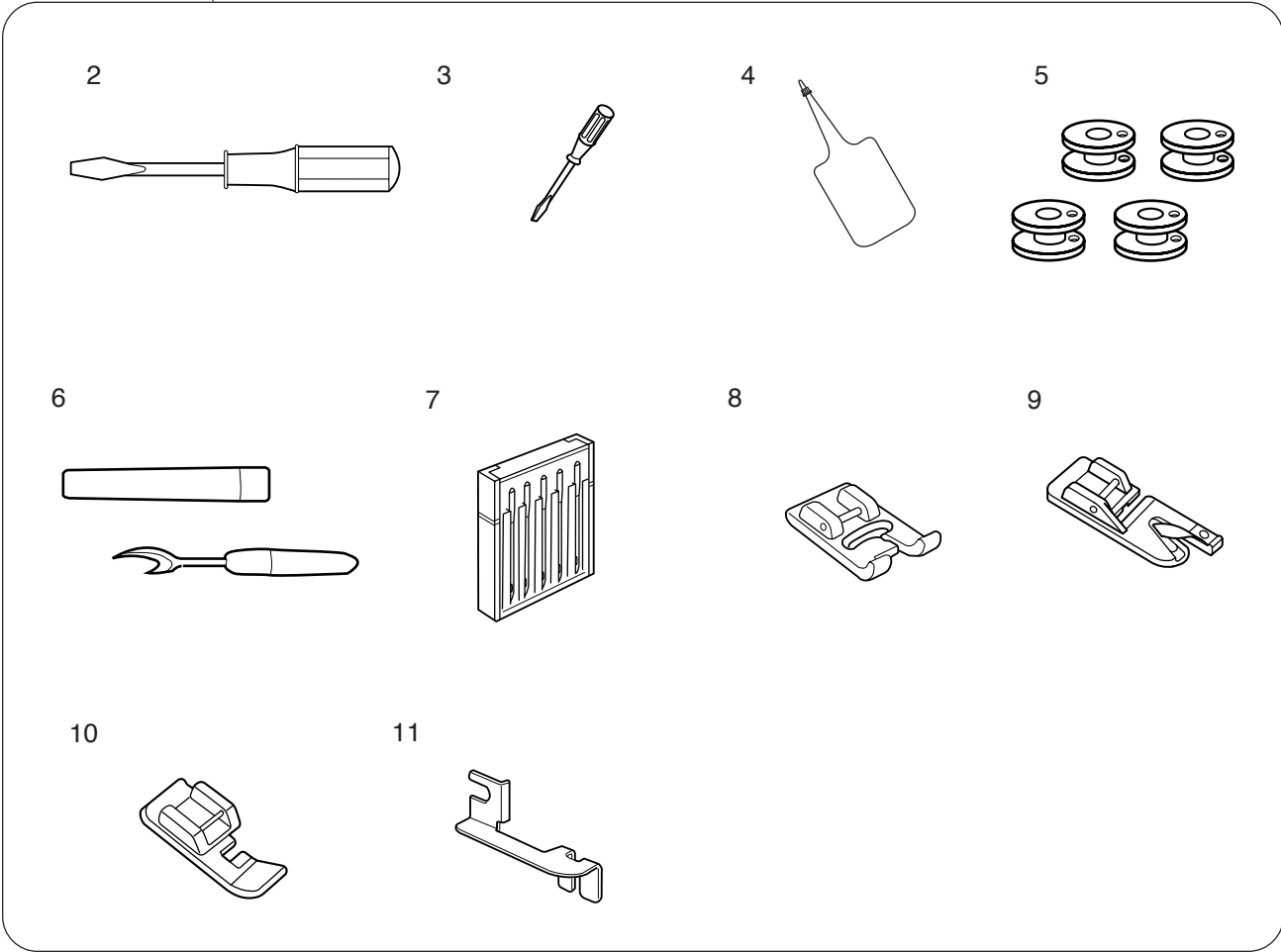
---

KEY NO.	PARTS NO.	DESCRIPTION
1	730507109	Machine socket (unit)
2	730098102	Machine socket cover
3	731052004	Machine socket set plate
4	000081005	Setscrew 4x8
5	624093002	Timing belt
6	721001409	Belt cover
7	000104119	Setscrew 4x20
8	024171007	Motor (unit)
9	000115504	Setscrew TP 5x10
10	000121400	Setscrew 3x14 (B)

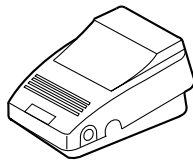
---

# PARTS LIST

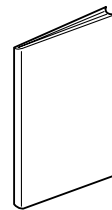
1



12



13



## PARTS LIST

---

KEY NO.	PARTS NO.	DESCRIPTION
1	740870109	Accessory set
2	647802003	Large screw driver
3	647803004	Small screw driver
4	131402005	Oil
5	102115008	Bobbin
6	647808009	Seam ripper/Buttonhole opener
7	540401026	Needle set
8	611401007	Automatic buttonhole foot
9	743815000	Hemmer foot
10	611406002	Zipper foot
11	674401002	Hem guide
12	042870618	Foot control
13	721801049	Instruction book

---